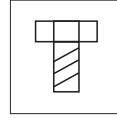




REF. 120.5L

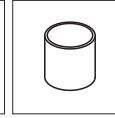
Simple liner hydromassage lounger in stainless steel AISI 316L (Marine quality).
1 gasket included.



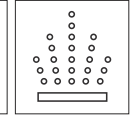
Screws
Included



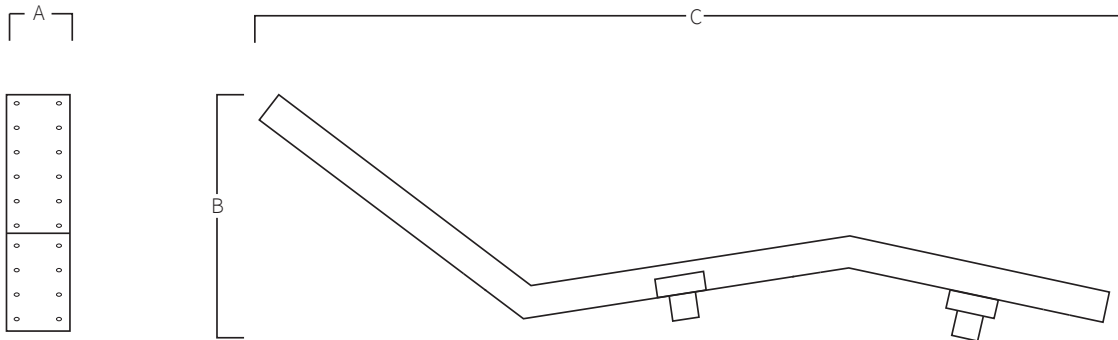
Earth
Connection



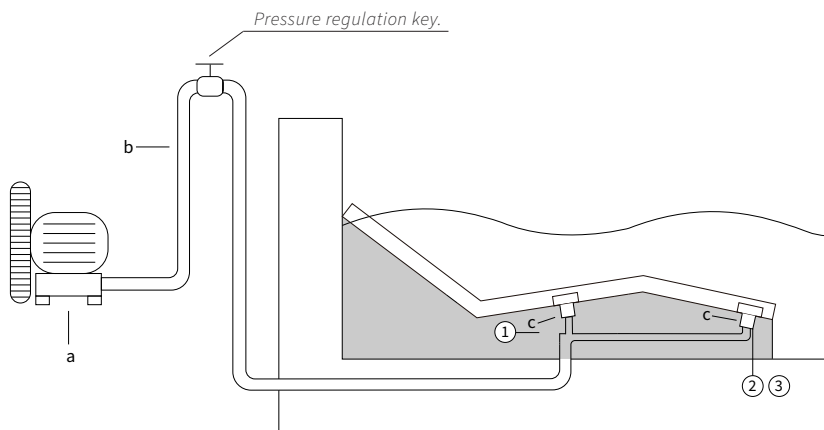
1 1/2"



Air



A	B	C
122	420	1685
04,80	16,54	66,34
Measures en mm		
Measure in inch		



MOUNTING SYSTEM

- 1) Connect the two 1 1/2" female fitting to the air intake.
- 2) Fix the earth connection.
- 3) Embed the main structure to the wall designed to be that, place the gasket and fix the registrable cover.
 - a) Blower pump:
120L.5: 80m³/h a 100 mbar (AQA-S800).
 - b) Tube Ø75mm.
 - c) Connection 1 1/2" female fitting.

*Pneumatic or electric button to be defined in work.