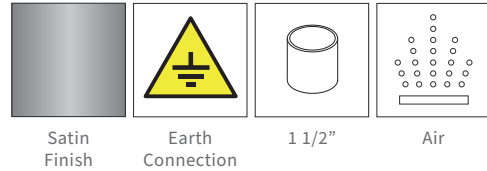




REF. 120.5

Simple hydromassage lounger in stainless steel AISI 316L (Marine quality).

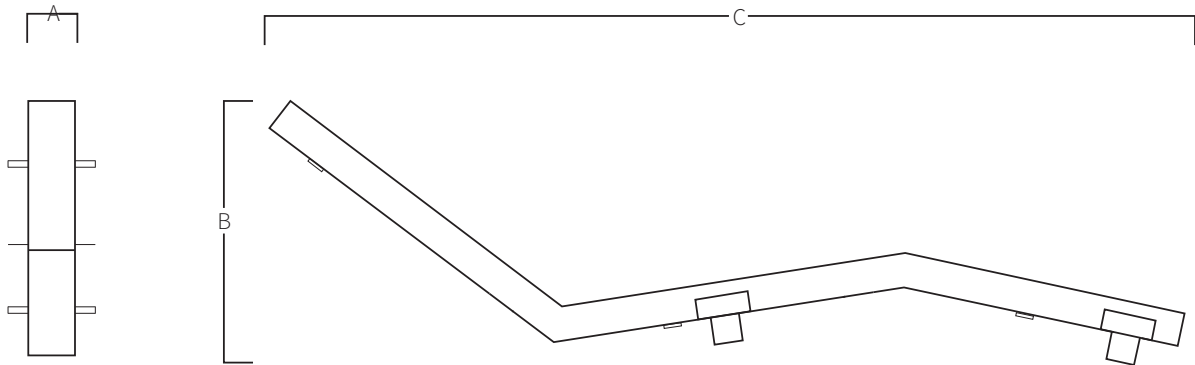


Satin Finish

Earth Connection

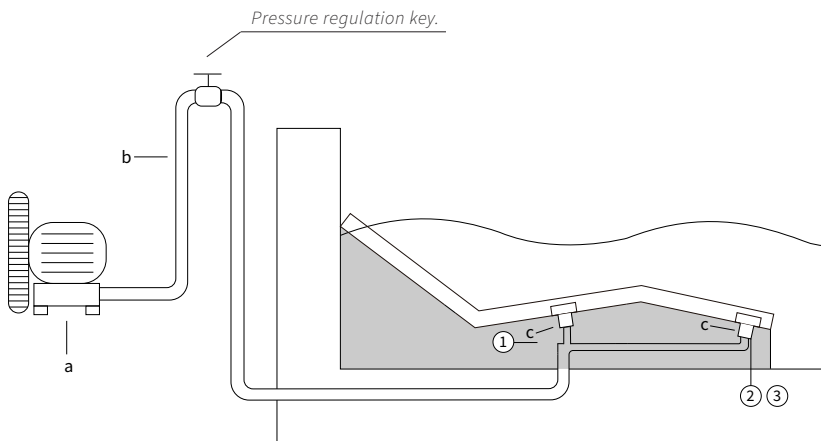
1 1/2"

Air



A	B	C
120	420	1685
04,72	16,54	66,34

Measure in mm
Measure in inch



MOUNTING SYSTEM

- 1) Connect the two 1 1/2" female fitting to the air intake.
- 2) Fix the earth connection.
- 3) Embed the main structure to the wall designed to be that.
 - a) Blower pump:
120.5: 80m³/h at 100 mbar (AQA-S800).
 - b) Tube Ø75mm.
 - c) Connection 1 1/2" female fitting.

*Pneumatic or electric button to be defined in work.