

# REF. 120.4

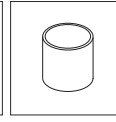
Hydromassage lounger in stainless steel  
AISI 316L (Marine quality).



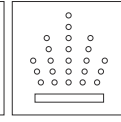
Satin  
Finish



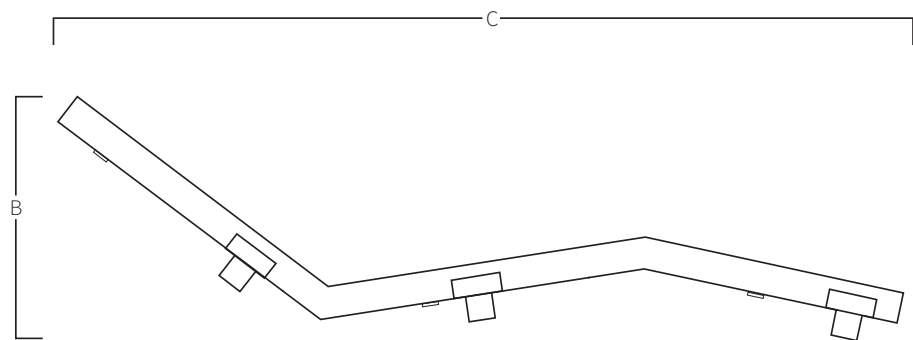
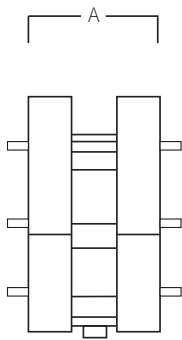
Earth  
Connection



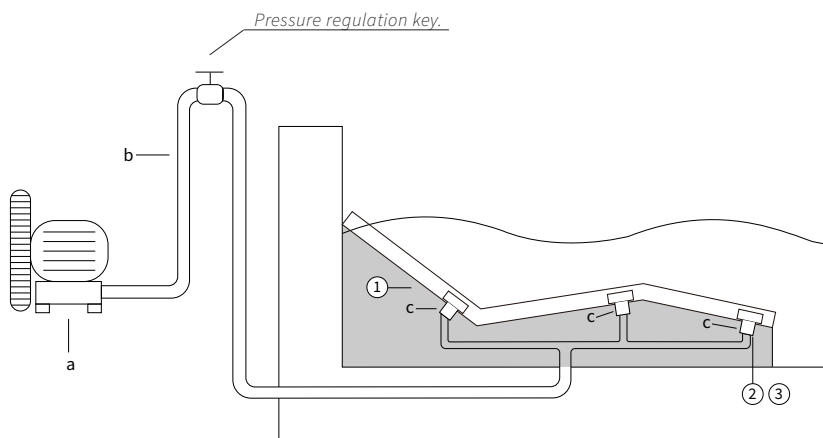
1 1/2"



Air



A	B	C
370	420	1685
14,57	16,54	66,34
<i>Measure in mm</i>		
<i>Measure in inch</i>		



## **MOUNTING SYSTEM**

- 1) Connect the three 1 1/2" female fitting to the air intake.
- 2) Fix the earth connection.
- 3) Embed the main structure to the wall designed to be that.
  - a) Blower pump:  
120.4 - 1,1kw - 210m<sup>3</sup>/h (Ref. AQA-S1100-210).
  - b) Tube Ø75mm.
  - c) Connection 1 1/2" female fitting.

*\*Pneumatic or electric button to be defined in work.*