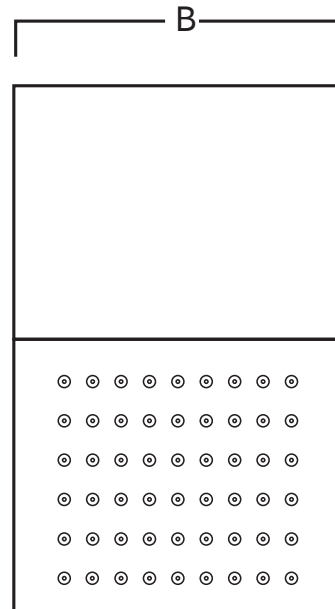
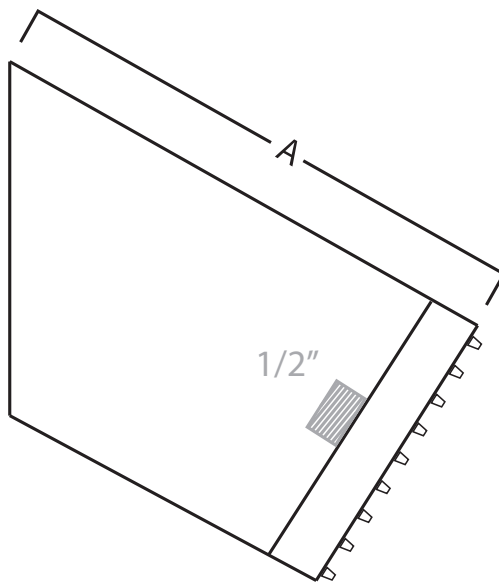




## REF. **RCPA**

Square anti-cal wall shower head in stainless steel AISI 316L (Marine quality). Polished or satin finish.

*\*Option without anti-cal (ref. RCP)*



A	B
250 9,84	100 4,09
250 9,84	130 5,12

Measure in mm  
Measure in inch

### **MOUNTING SYSTEM**

- 1) The shower head is connected to the water intake through 1/2" male fitting.
- 2) Fix the shower head with the rear oval drill (screws included).