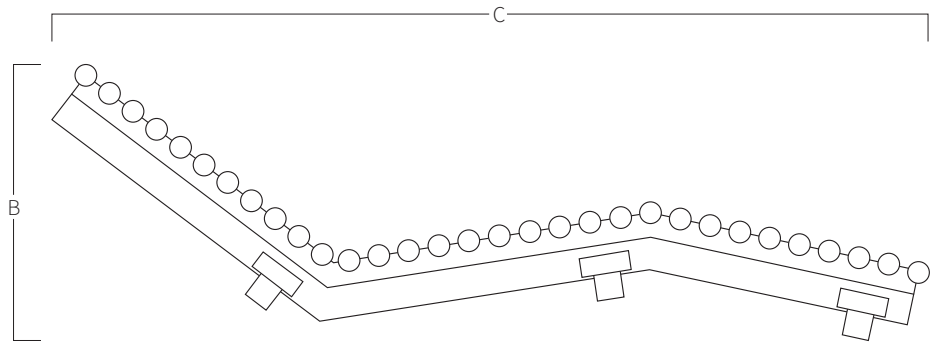
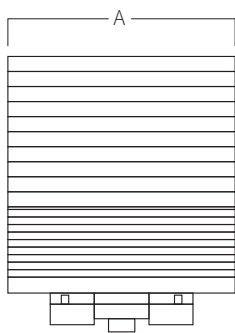


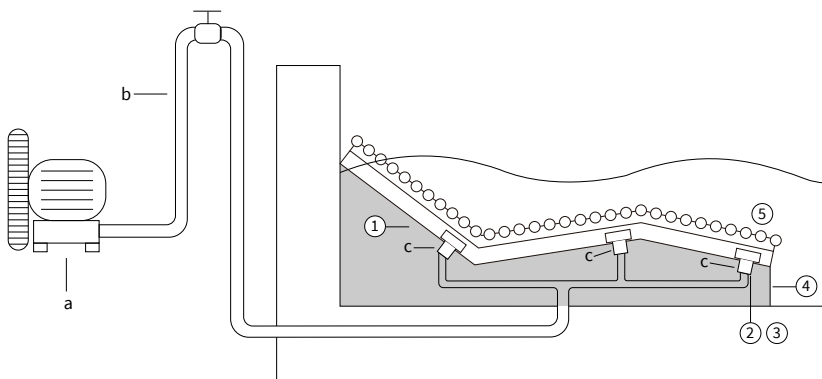
REF. 120.3

Hydromassage lounger in stainless steel
AISI 316L (Marine quality). Polish finish.
Screws included.

**Option with head and adjustable legs.*



A	B	C
625	722	1722
<i>Measure in mm</i>		



MOUNTING SYSTEM

- 1) Disassembly the tubular structure of the main structure of the bed (10 screws allen M8).
- 2) Connect the three 1 1/2" female fitting to the air intake.
- 3) Fix the earth connection.
- 4) Embed the main structure to the wall designed to be that.
- 5) Reassembling the tubular structure above the main structure.

a) Blower pump:

Curve 140 - 1,3kw - 216 m³/h (Ref. AQA-SKS-250).

b) Tube Ø75mm.

c) Connection 1 1/2" female fitting.

**Pneumatic or electric button to be defined in work.*

