

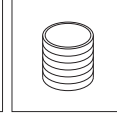


# REF. 106SPA

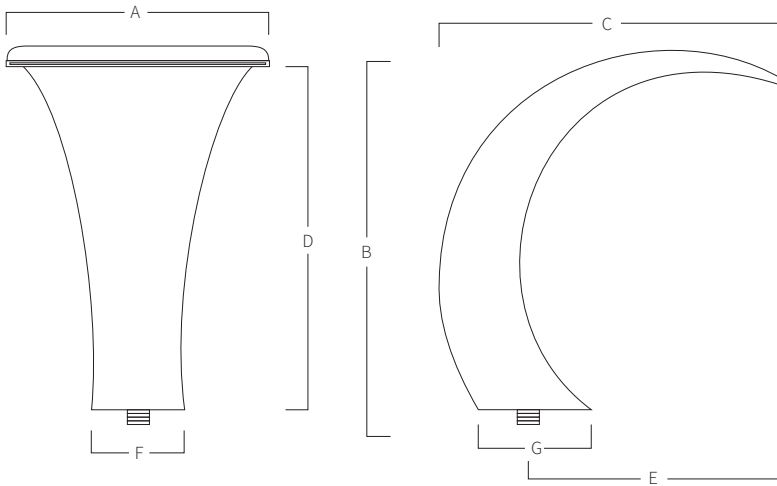
Waterfall in stainless steel AISI 316L  
(Marine quality). Polished finish.



Earth  
Connection

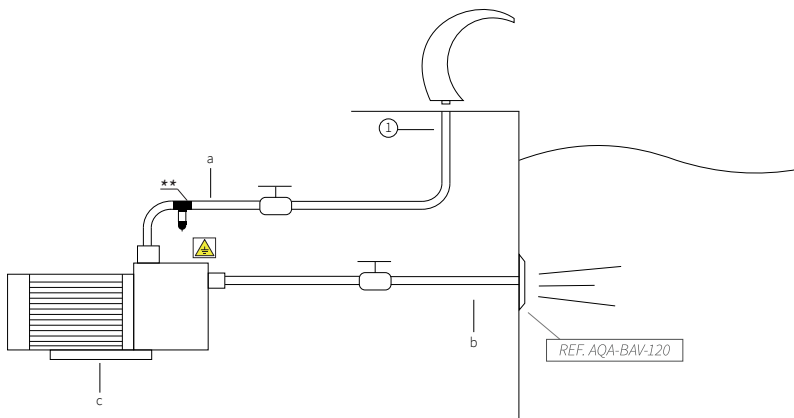


3/4"



A	B	C	D	E	F	G
150	220	220	185	165	60	80
05,91	08,66	08,66	07,28	06,50	02,36	03,15

Measures in mm  
Measures in inch



## MOUNTING SYSTEM

- 1) Screw with 3/4" male fitting.
- 2) Fix the earth connection.
  - a) Impulsion tube for 3/4" connection.
  - b) Self-priming pump:  
106SPA: 0,5hp - 8m<sup>3</sup>/h (Ref. AQA-B8).
  - c) Suction tube.

\*Pneumatic or electric button to be defined in work.

\*\*AQA recommends to install a POOL PROTECTOR to avoid corrosion of the existing stainless steel elements in the pool.