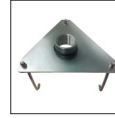


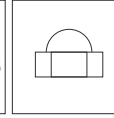


# REF. 106.2

Waterfall in stainless steel AISI 316L  
(Marine quality). Polished or satin finish.



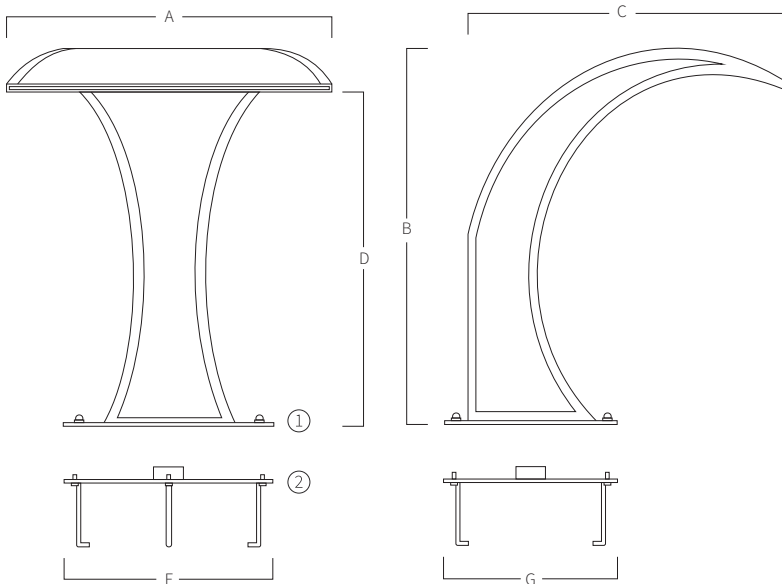
Support  
Included



Nuts  
Included



Earth  
Connection



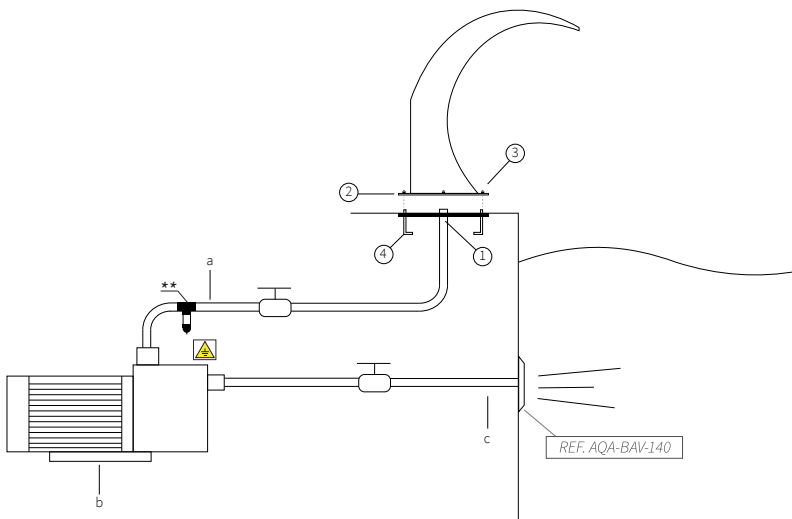
A	B	C	D	F	G
300	800	745	560	280	400
11,81	31,50	29,33	22,05	11,02	15,75
500	800	720	660	450	370
19,69	31,50	28,35	25,99	17,72	14,57
700	800	680	730	450	370
27,56	31,50	26,77	28,75	17,72	14,57
1000	1000	750	950	530	515
39,37	39,37	29,53	37,40	20,87	20,28

Measures in mm  
Measures in inch

- ① Nuts to fix waterfall.
- ② Support to embed in the ground level.

## MOUNTING SYSTEM

- 1) Connect the water intake to the support with 2" female fitting.
- 2) Fix the earth connection to the support.
- 3) Embed the support to get the platen at ground level.
- 4) Fix the waterfall with the nuts.
  - a) Impulsion tube 2" (Ø63mm).
  - b) Self-priming pump:
    - 106.2 (300): 1hp - 17,3m<sup>3</sup>/h (Ref. AQA-B17).
    - 106.2 (500): 1,5hp - 21,5m<sup>3</sup>/h (Ref. AQA-B21).
    - 106.2 (700): 2hp - 26,6m<sup>3</sup>/h (Ref. AQA-B26).
    - 106.2 (1000): 3hp - 38,8m<sup>3</sup>/h (Ref. AQA-B38).
  - c) Suction tube 2" (Ø63mm).



\*Pneumatic or electric button to be defined in work.

\*\*AQA recommends to install a POOL PROTECTOR to avoid corrosion of the existing stainless steel elements in the pool.