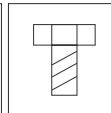


# REF. AF-1

Waterfall in stainless steel AISI 316L (Marine quality). Polished finish.



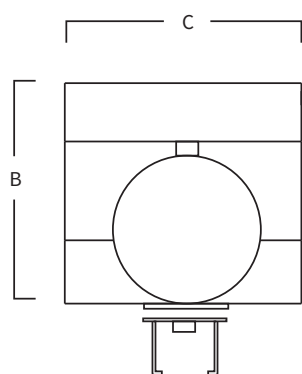
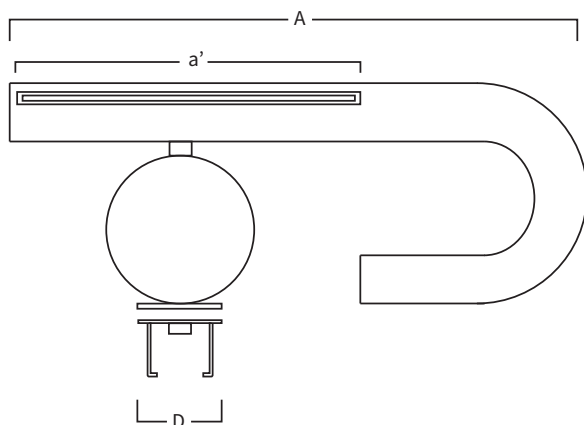
Support Included



Nuts Included

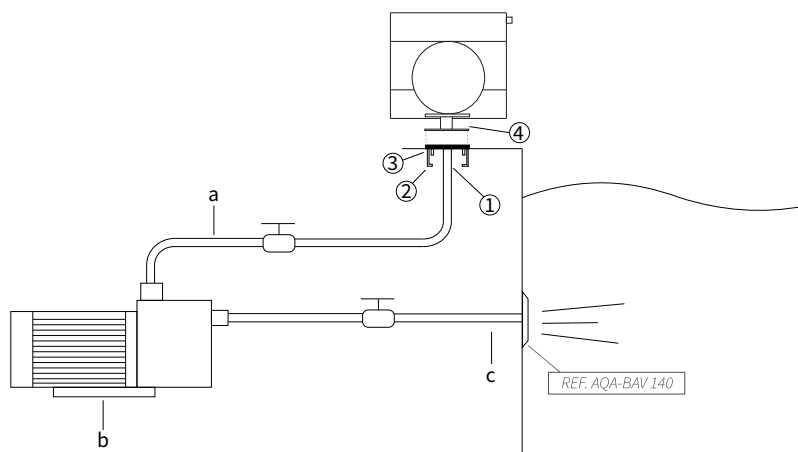


Earth Connection



A	a'	B	C	D
1030	500	385	360	Ø180
40,55	19,69	15,16	14,17	07,09

Measure in mm  
Measure in inch



## MOUNTING SYSTEM

- 1) Connect the water intake to the support with 1 1/2" female fitting.
- 2) Fix the earth connection to the support.
- 3) Embed the support to get the platen at ground level.
- 4) Put gaskets and fix the structure with the screws (included).
  - a) Impulsion tube (Ø50mm).
  - b) Self-priming pump:
    - AF-1: 1,5hp - 21,5m<sup>3</sup>/h (Ref.AQA-B21).
  - c) Suction tube 2" (Ø63mm).

\*Pneumatic or electric button to be defined in work.