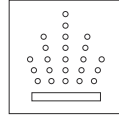


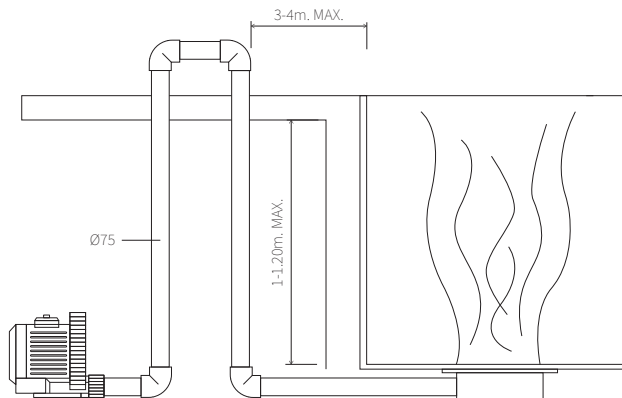
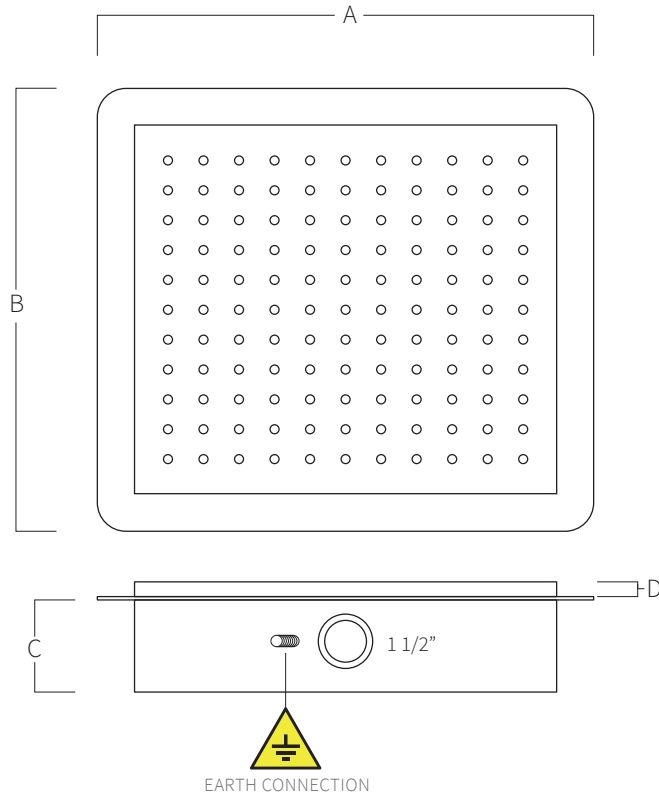


# REF. 137

Grid whirlpool hydromassage in stainless steel AISI 316L (Marine quality). Satin finished. Embed at work.



AIR JET



FLOWRATE	A	B	C	D
140m <sup>3</sup> /h 05,51m <sup>3</sup> /h	300 11,81	300 11,81	90 03,54	15 00,59
210m <sup>3</sup> /h 08,27m <sup>3</sup> /h	500 19,69	500 19,69	90 03,54	15 00,59
140m <sup>3</sup> /h 05,51m <sup>3</sup> /h	600 23,62	200 07,87	90 03,54	15 00,59
140m <sup>3</sup> /h 05,51m <sup>3</sup> /h	Ø300 Ø11,81	-	90 03,54	15 00,59
210m <sup>3</sup> /h 08,27m <sup>3</sup> /h	Ø500 Ø19,69	-	90 03,54	15 00,59

Measure in mm  
Measure in inch