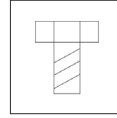




REF. 120.4L

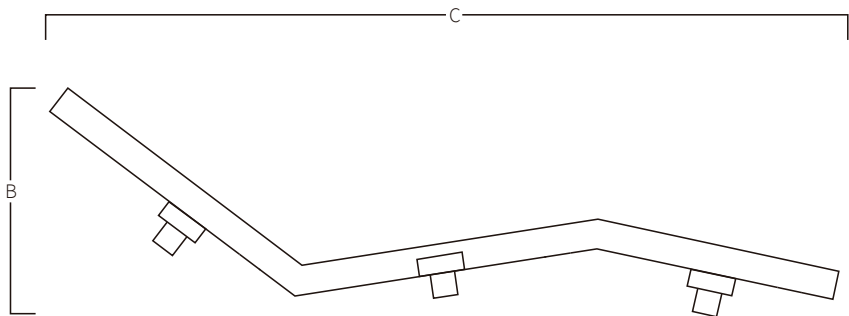
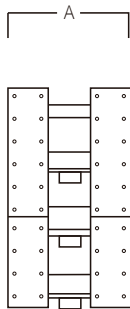
Double liner hydromassage in stainless steel AISI 316L (Marine quality). Polished finish. 1 gasket included.



Screws Included

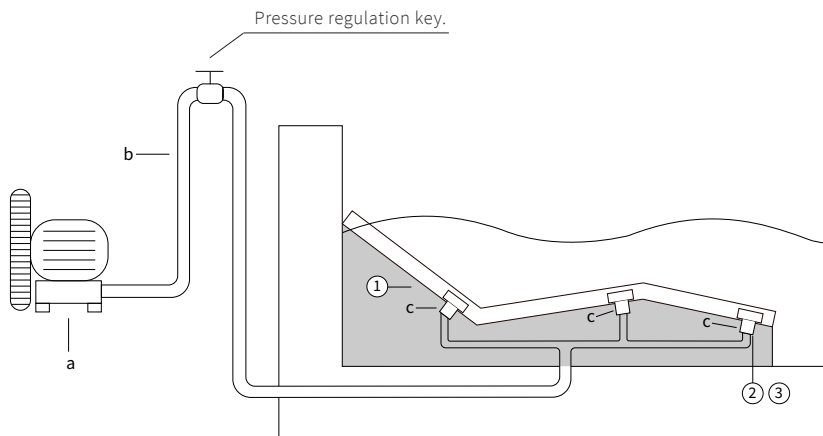


Earth Connection



A	B	C
372	420	1685
14,65	16,54	66,34

Measures in mm
Measures in inch



MOUNTING SYSTEM

- 1) Connect the three 1 1/2" female fitting to the air intake.
- 2) Fix the earth connection.
- 3) Embed the main structure to the wall designed to be that, place the gasket and fix the registrable cover.
 - a) Blower pump:
120L.4 - 1,1kw - 210m³/h (Ref. AQA-S1100-210).
 - b) Tube Ø75mm.
 - c) Connection 1 1/2" female fitting.

*Pneumatic or electric button to be defined in work.