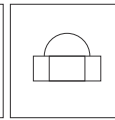


REF. 106

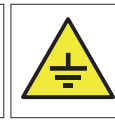
Waterfall in stainless steel AISI 316L
(Marine quality). Polished or satin finish.



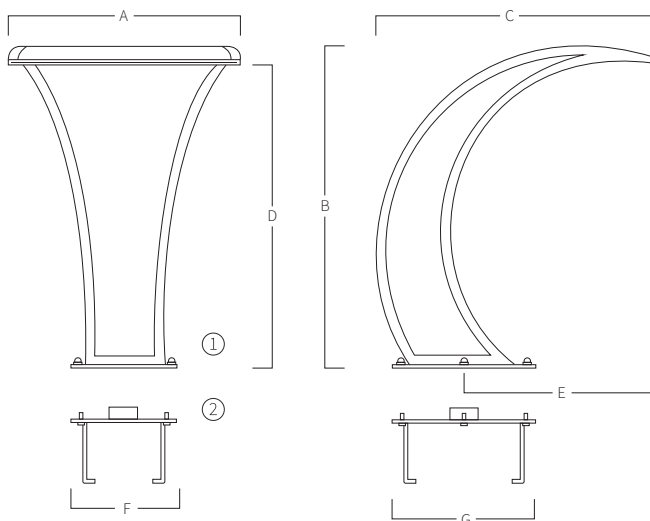
Support
Included



Nuts
Included



Earth
Connection



A	B	C	D	E	F	G
300 11,81	650 25,60	600 23,62	560 22,05	400 15,75	180 07,09	260 10,24
500 19,69	700 27,56	600 23,62	660 25,99	400 15,75	230 09,06	310 12,20
700 27,56	800 31,50	765 30,12	730 28,74	520 20,47	255 10,04	340 13,39
1000 39,37	1000 39,37	900 35,37	910 35,43	550 21,65	330 12,99	440 17,32

Measures in mm
Measures in inch

- ① Nuts to fix the waterfall.
- ② Support to embed in the ground level.

MOUNTING SYSTEM

- 1) Connect the water intake to the support with 2" female fitting.
- 2) Fix the earth connection to the support.
- 3) Embed the support to get the platen at ground level.
- 4) Fix the waterfall with the nuts.
 - a) Impulsion tube 2" (Ø63mm).
 - b) Self-priming pump:
 - 106 (300): 1hp - 17,3m³/h (Ref. AQA-B17).
 - 106 (500): 1,5hp - 21,5m³/h (Ref. AQA-B21).
 - 106 (700): 2hp - 26,6m³/h (Ref. AQA-B26).
 - 106 (1000): 3hp - 38,8m³/h (Ref. AQA-B38).
 - c) Suction tube 2" (Ø63mm).

*Pneumatic or electric button to be defined in work.

