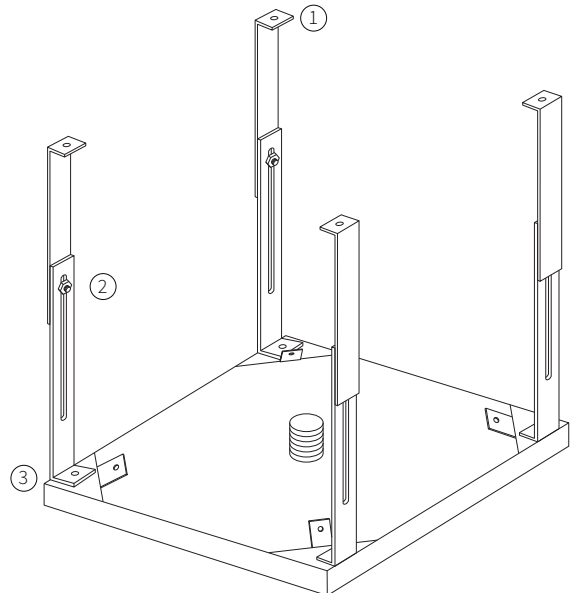
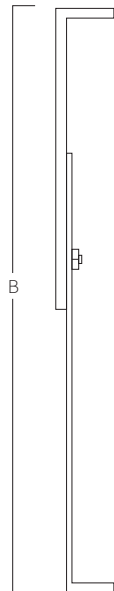
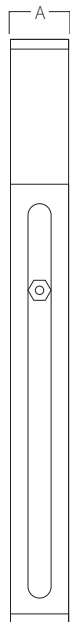




REF. **SPC**

Extendable support in stainless steel AISI 316L (Marine quality). Satin finish.
Screws included.



A	B
30 1,18	200 to 360 07,87 to 14,17
30 1,18	350 to 650 13,78 to 25,59

Measure in mm
Measure in inch

MOUNTING SYSTEM

- 1) Drill Ø6mm to fix to ceiling.
- 2) Screw with M-6 nut to adjust the height.
- 3) M-6 drills to fix to shower head.