

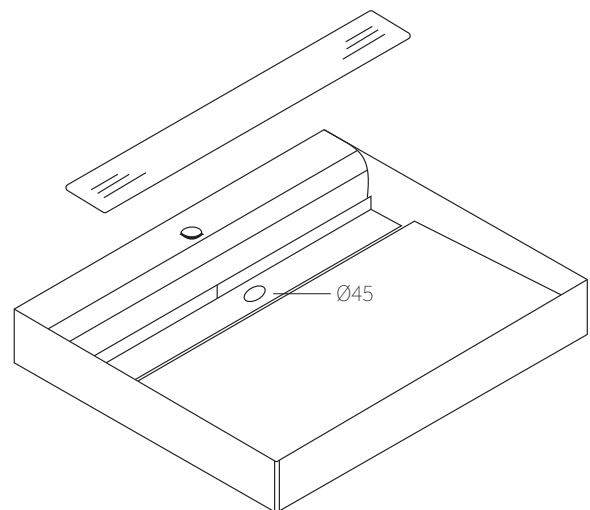
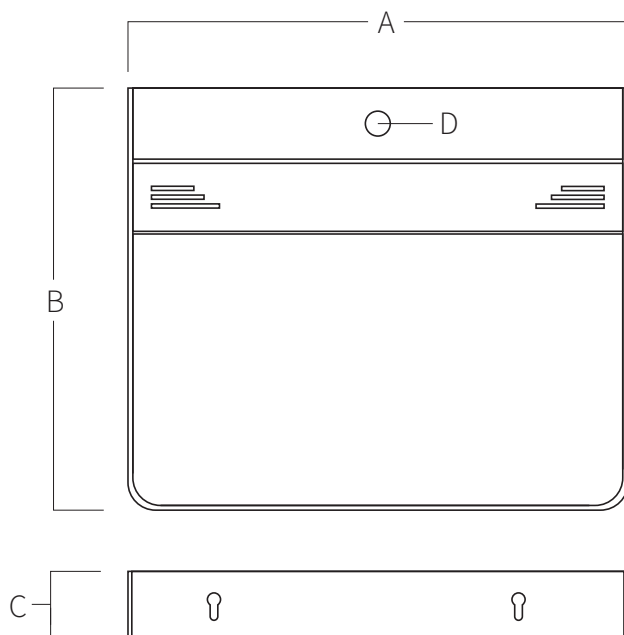


REF. **LMT**

Sink in stainless steel AISI 316L (Marine quality).
Satin finish. Screws included.

**Removable drain protection.*

**Taps and drain not included.*



A	B	C	D
500	450	100	Ø30
19,69	17,72	03,94	Ø01,18

Measure in mm

MOUNTING SYSTEM

- 1) The sink can be fixed to the wall with screws and plugs (included) with squads or place on top of furniture.