

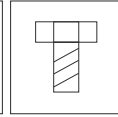


REF. E-5

Ladder in stainless steel AISI 316L
(Marine quality). Polish finish.



Supports included



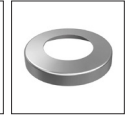
Screws included



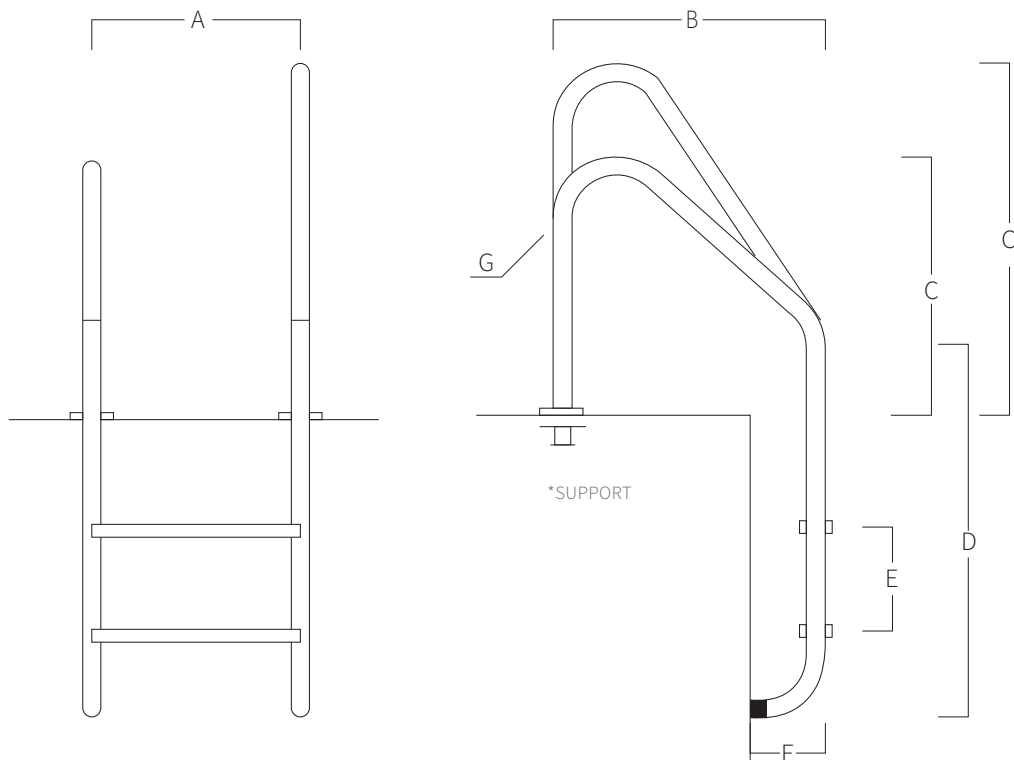
Earth Connection



Plastic caps included



Trims included



	A	B	C	C'	D	E	F	G
2	500 19,69	650 25,59	620 24,41	920 36,22	710 27,95	250 09,84	180 07,09	Ø43x1,5 Ø01,69x0,06
3	500 19,69	650 25,59	620 24,41	920 36,22	960 37,80	250 09,84	180 07,09	Ø43x1,5 Ø01,69x0,06
4	500 19,69	650 25,59	620 24,41	920 36,22	1210 47,64	250 09,84	180 07,09	Ø43x1,5 Ø01,69x0,06
5	500 19,69	650 25,59	620 24,41	920 36,22	1460 57,48	250 09,84	180 07,09	Ø43x1,5 Ø01,69x0,06

Measure in mm
Mesure in inch

MOUNTING SYSTEM

- 1) Embed the supports to get the platen at ground level.
- 2) Fix the earth connection.
- 3) Fix the ladder with the support screw.

**Plastic caps at bellow part.*