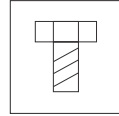


# REF. E-4

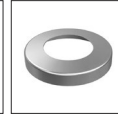
Ladder in stainless steel AISI 316L  
(Marine quality). Polish finish.



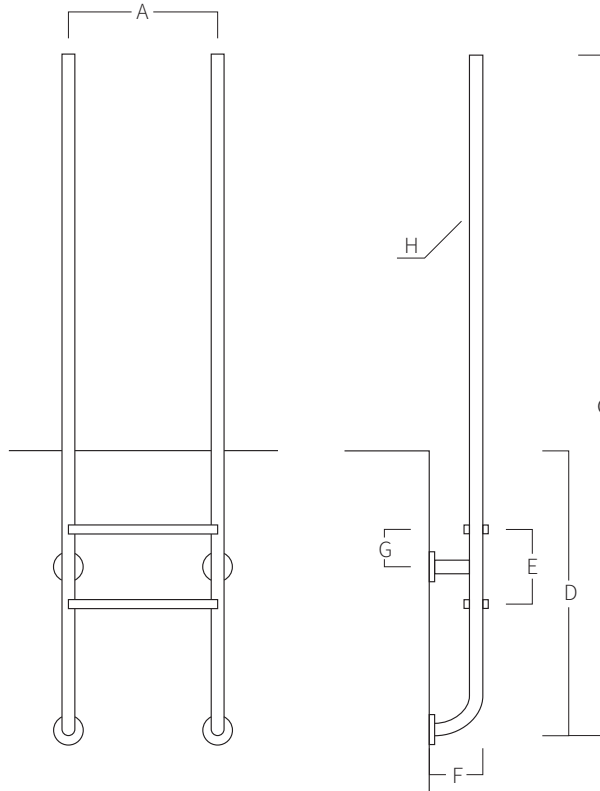
Screws  
included



Earth  
Connection



Trims  
included



	A	B	C	D	E	F	G	H
2	500 19,69	600 23,62	2294 90,32	710 27,95	250 09,84	180 07,09	125 04,92	Ø43x1,5 Ø01,69x0,06
3	500 19,69	600 23,62	2294 90,32	960 37,80	250 09,84	180 07,09	125 04,92	Ø43x1,5 Ø01,69x0,06
4	500 19,69	600 23,62	2544 100,16	1210 47,64	250 09,84	180 07,09	125 04,92	Ø43x1,5 Ø01,69x0,06

Measure in mm  
Mesure in inch

## MOUNTING SYSTEM

- 1) Fix the ladder with screws (included).
- 2) Fix the earth connection.

*\*Trims included.*