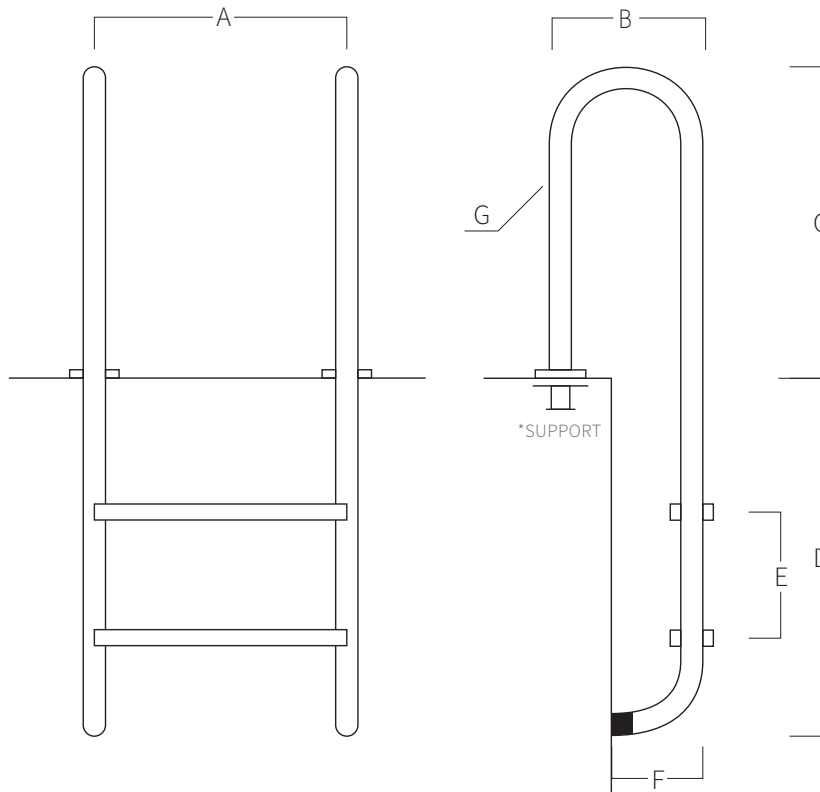
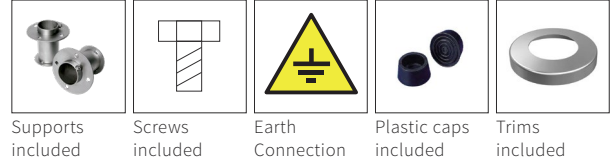


# REF. E-3

Ladder in stainless steel AISI 316L  
(Marine quality). Polish finish.



	A	B	C	D	E	F	G
2	500 19,69	305 12,01	620 24,41	710 27,95	250 09,84	180 07,09	Ø43x1,5 Ø01,69x0,06
3	500 19,69	305 12,01	620 24,41	980 38,58	250 09,84	180 07,09	Ø43x1,5 Ø01,69x0,06
4	500 19,69	305 12,01	620 24,41	1210 47,64	250 09,84	180 07,09	Ø43x1,5 Ø01,69x0,06
5	500 19,69	305 12,01	620 24,41	1450 57,48	250 09,84	180 07,09	Ø43x1,5 Ø01,69x0,06

Measure in mm  
Mesure in inch

## MOUNTING SYSTEM

- 1) Embed the supports to get the platen at ground level.
- 2) Fix the earth connection.
- 3) Fix the ladder with the support screw.

\*Plastics cap at bellow part.