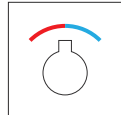


REF. **AQA-MJETL**

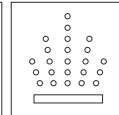


Mini jet water-air in stainless steel AISI 316L (Marine quality). Polish finish.
2 gaskets included.

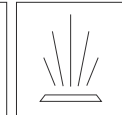
The acceleration of the water due to its ventury effect, provokes an injection of air microbubbles combining massage effect with hyperaeration of the treated area.



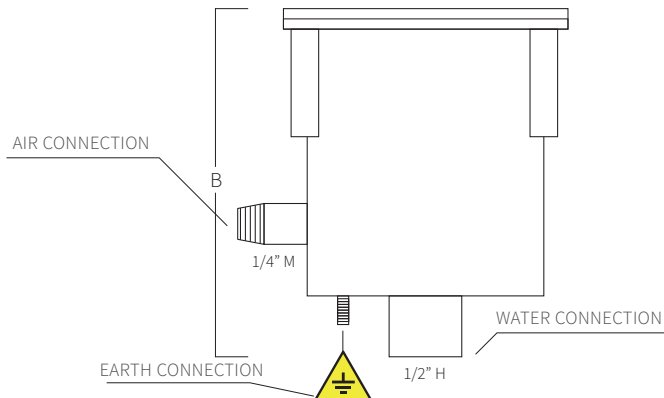
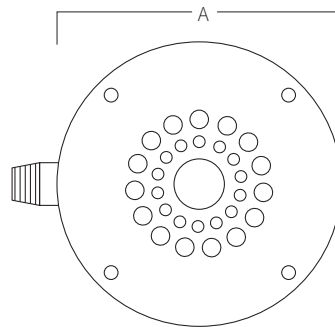
FLOWRATE/
PRESSURE
RECOMMENDED



AIR JET



WATER JET



A	B
Ø66	110
Ø02,60	04,33

Measure in mm
Measure in inch

MOUNTING SYSTEM

Built-in work.