

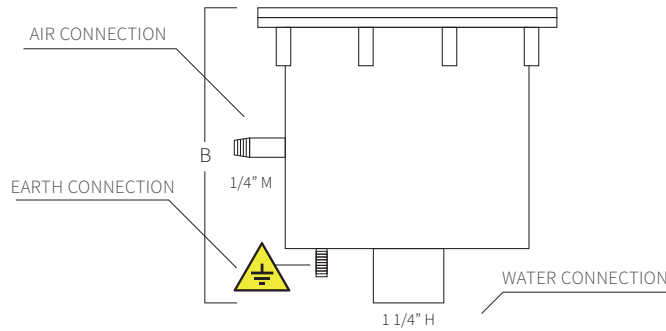
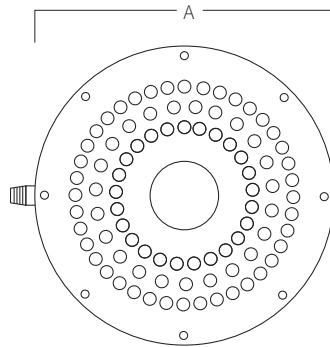
REF. **AQA-JETL**



Jet water-air for liner in stainless steel AISI 316L (Marine quality). Polish finish.
2 gaskets included.

The acceleration of the water due to its ventury effect, provokes an injection of air microbubbles combining massage effect with hyperaeration of the treated area.

0,75 hp - 10m ³ /h		
FLOWRATE/ PRESSURE/ RECOMMENDED	AIR JET	WATER JET



A B

Ø160 168
Ø06,29 06,61

Measure in mm
Measure in inch

MOUNTING SYSTEM

Built-in work.