

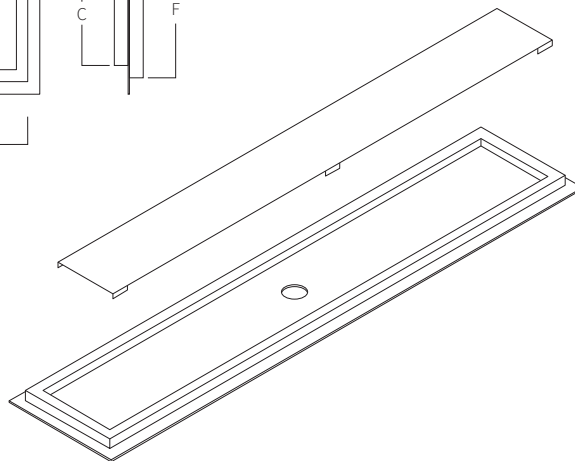
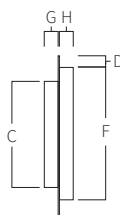
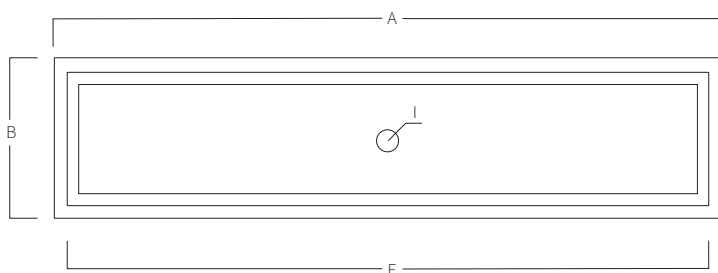
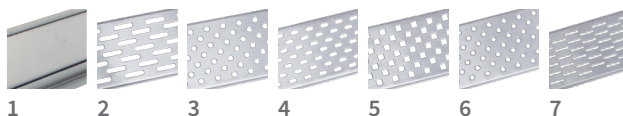


REF. **AQA-DL**

Lineal drain in stainless steel AISI 316L
(Marine quality). Satin finish.

**Drain not included.*

GRILL OPTIONS:



A	B	C	D	E	F	G	H	I
940	145	90	20	900	110	15	15	Ø60
37,01	05,71	03,54	00,79	35,43	04,33	00,59	00,59	Ø2,36

Measure in mm
Measure in inch

MOUNTING SYSTEM

Lineal drain to fix in work.