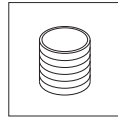
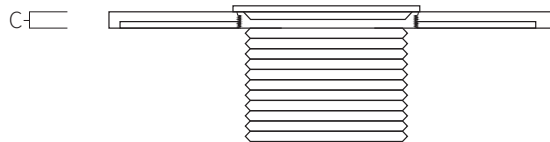
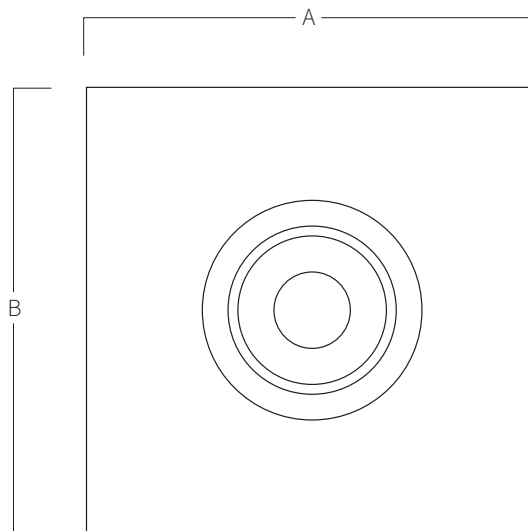


# REF. **AQA-CBIL**

Square orientable impulsion nozzle for base liner in stainless steel AISI 316L (Marine quality). Polish finish. Screws and gaskets included.



2" ABS - Ø50  
(Interior)



A	B	C
118	118	9
04,65	04,65	00,35

Measure in mm  
Measure in inch