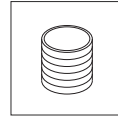


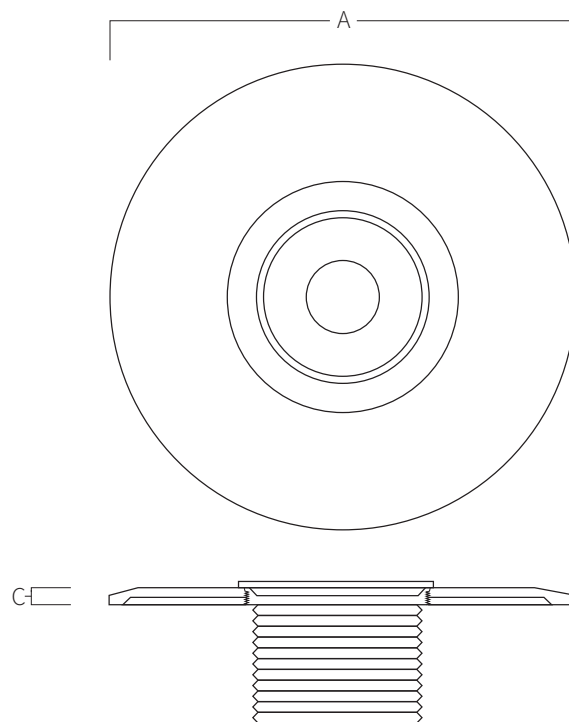
REF. **AQA-BIL**



Orientable impulsion nozzle for base liner in stainless steel AISI 316L (Marine quality). Acabado pulido. Screws and gaskets included.



2" ABS - Ø50
(Interior)



A	C
Ø115	11
Ø04,53	00,43

Measure in mm
Measure in inch