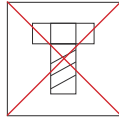


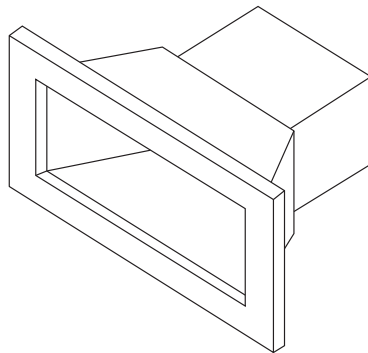
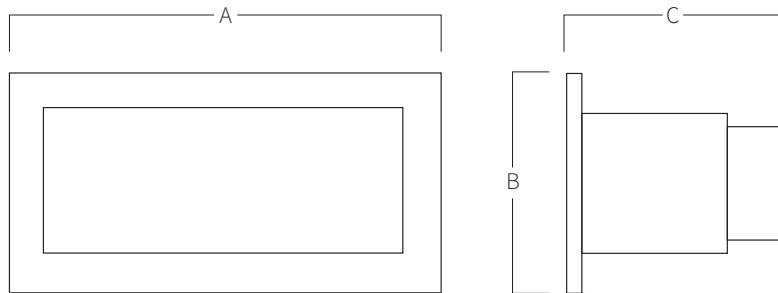
REF. **AQA-BF-SKRL**



Cover for base liner in stainless steel 316L (Marine quality) with folding gate for skimmer.



Screws not included



A	B	C
455	240	298
17,91	09,45	11,73
Measure in mm		
Measure in inch		

MOUNTING SYSTEM

- 1) Cover fixed with 4 screws (not included).