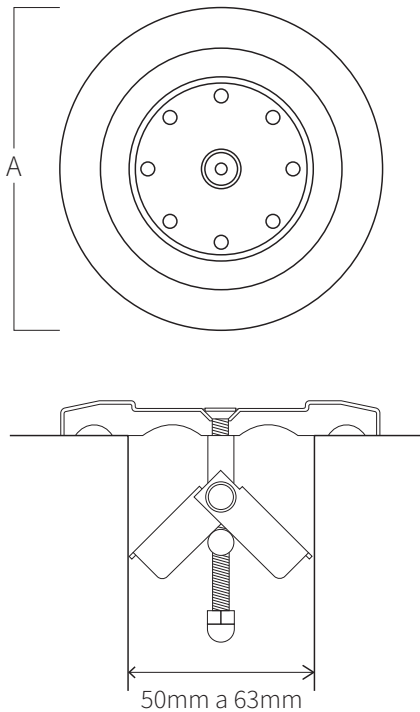




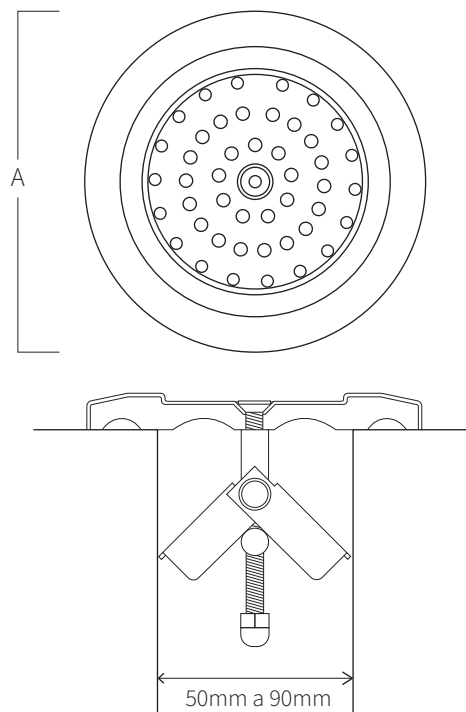
# REF. **AQA-BAV**

Antivortex aspiration nozzle in stainless steel AISI 316L (Marine quality). Polish finish.

REF. AQA-BAV-120



REF. AQA-BAV-140



REF. AQA-BAV-120

REF. AQA-BAV-140

**A**

Ø120  
Ø04,72

**A**

Ø140  
Ø05,51

Measure in mm  
Measure in inch

## **MOUNTING SYSTEM**

- 1) Embed the nozzle to get at wall or floor level.
- 2) Aspiration tube:
  - Ø120mm of 50-63mm.
  - Ø140mm of 50-90mm.
- 3) Flowrate.
  - Ø120mm of 7 m<sup>3</sup>/h.
  - Ø140mm of 30 m<sup>3</sup>/h.