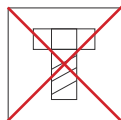




# REF. **AQA-AE-F**

Circular cover in stainless steel AISI 316L (Marine quality). Polish finish.

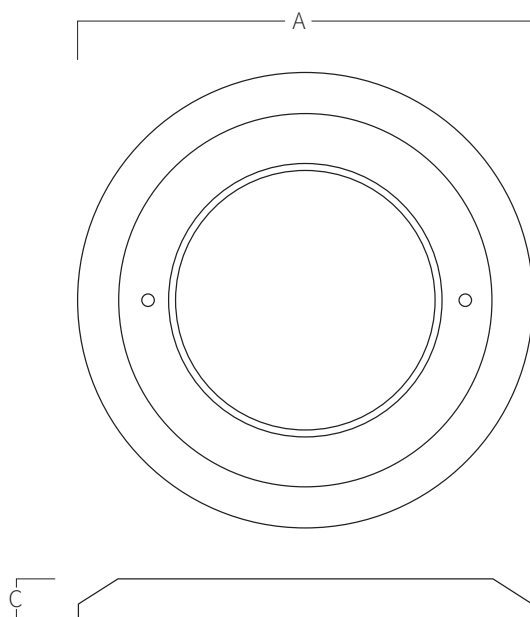


Screws not included

KIT TRANSF.  
07852  
07838  
67517



Earth Connection



A	C
Ø280	21
Ø11,02	00,83
Measure in mm	
Measure in inch	

## **MOUNTING SYSTEM**

1) Cover fixed with screws.