

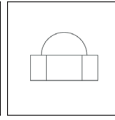


REF. 8.1

Waterfall in stainless steel AISI 316L (Marine quality) and fiberglass. Polished finish.



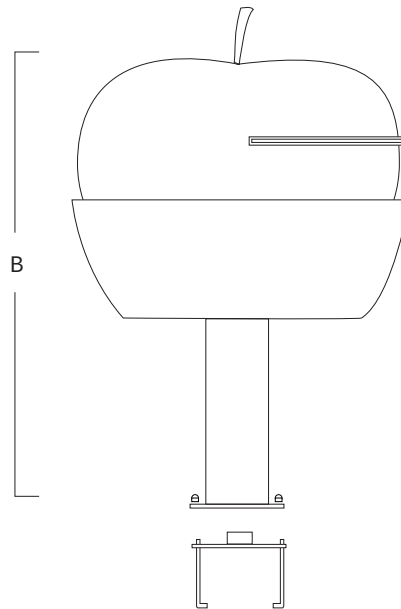
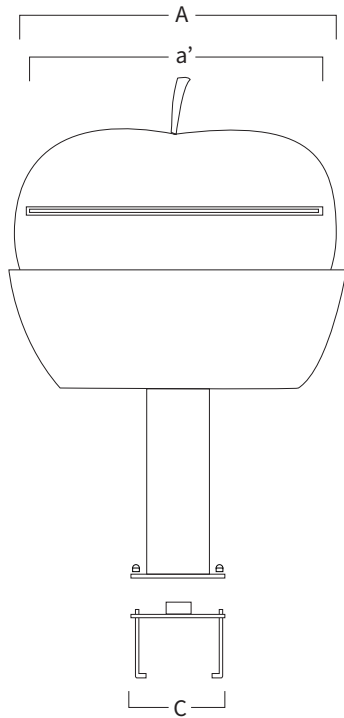
Support Included



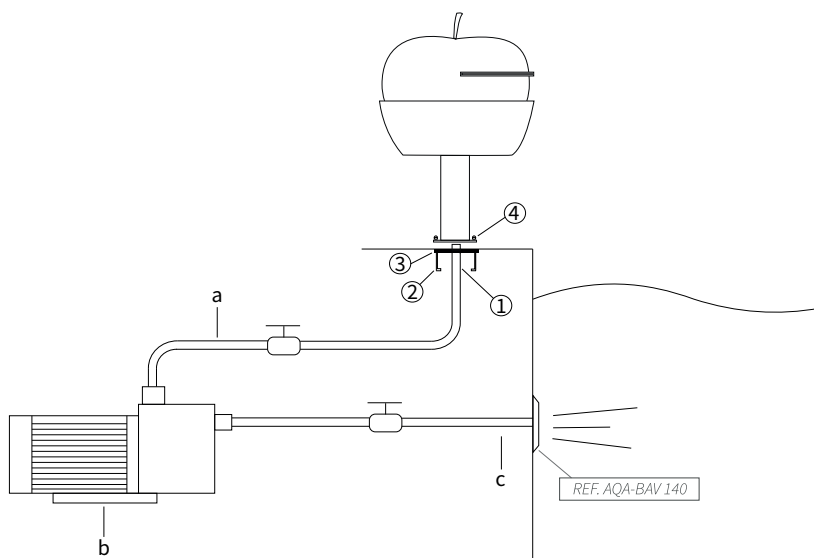
Nuts Included



Earth Connection



A	a'	B	C
450	460	910	Ø190
<i>Measure in mm</i>			



MOUNTING SYSTEM

- 1) Connect the water intake to the support with 1 1/2" female fitting.
 - 2) Fix the earth connection to the support.
 - 3) Embed the support to get the platen at ground level.
 - 4) Fix the waterfall with the nuts (included).
- a) Impulsion tube (Ø50mm).
 b) Self-priming pump:
 8.1: 0,80hp - 10m³/h (Ref. AQA-B10).
 c) Suction tube 2" (Ø63mm).

**Pneumatic or electric button to be defined in work.*