

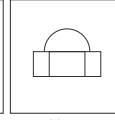


# REF.7

Waterfall in stainless steel AISI 316L (Marine quality). Polished finish.



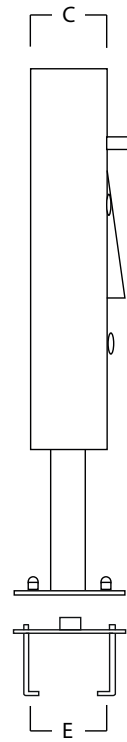
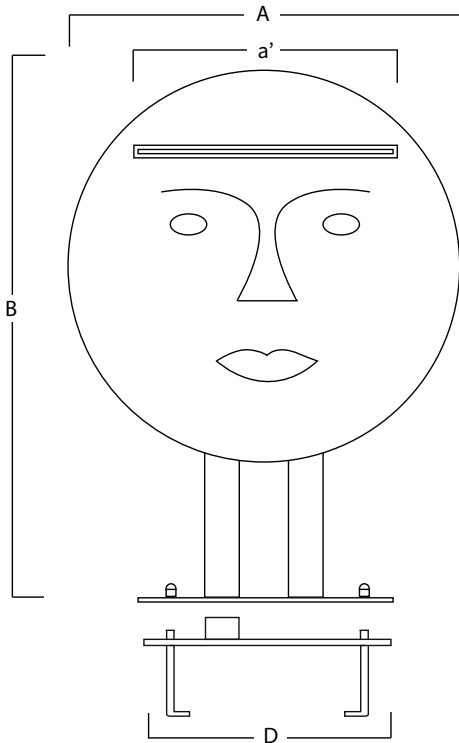
Support  
Included



Nuts  
Included

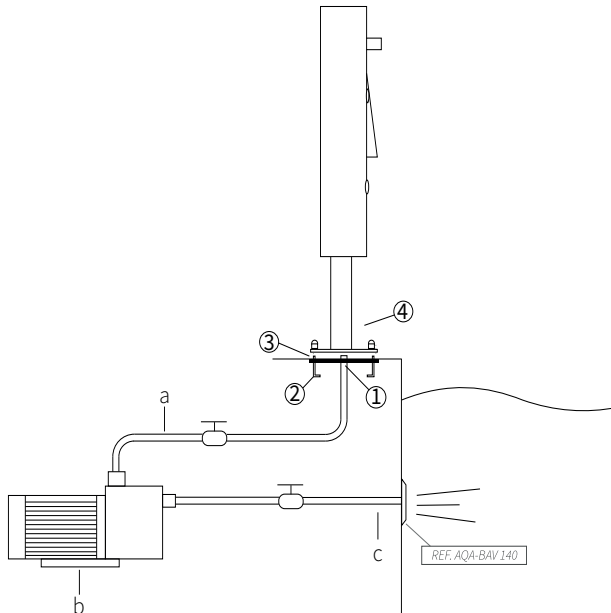


Earth  
Connection



A	a'	B	C	D	E
545	400	750	90	350	145

Measure in mm



## MOUNTING SYSTEM

- 1) Connect the water intake to the support with 1 1/2" female fitting.
  - 2) Fix the earth connection to the support.
  - 3) Embed the support to get the platen at ground level.
  - 4) Fix the waterfall with the nuts (included).
- a) Impulsion tube (Ø50mm).  
 b) Self-priming pump:  
 7: 1,5hp - 21,5m<sup>3</sup>/h (Ref. AQA-B21).  
 c) Suction tube 2" (Ø63mm).

\*Pneumatic or electric button to be defined in work.