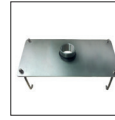


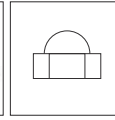


REF.6

Waterfall in stainless steel AISI 316L (Marine quality). Polished finish.



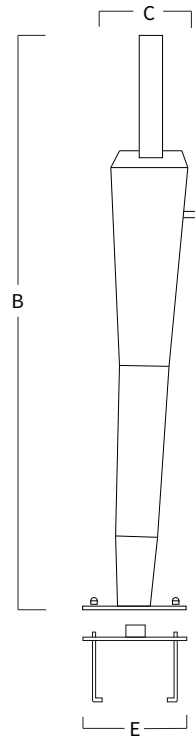
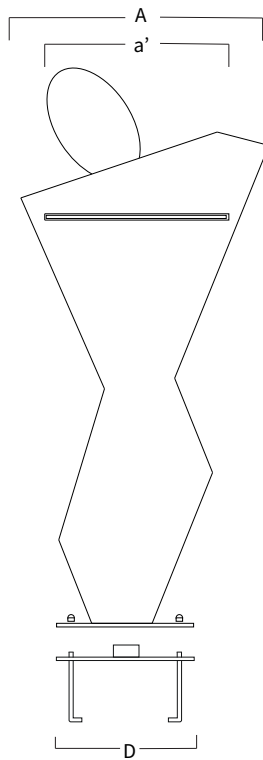
Support
Included



Nuts
Included

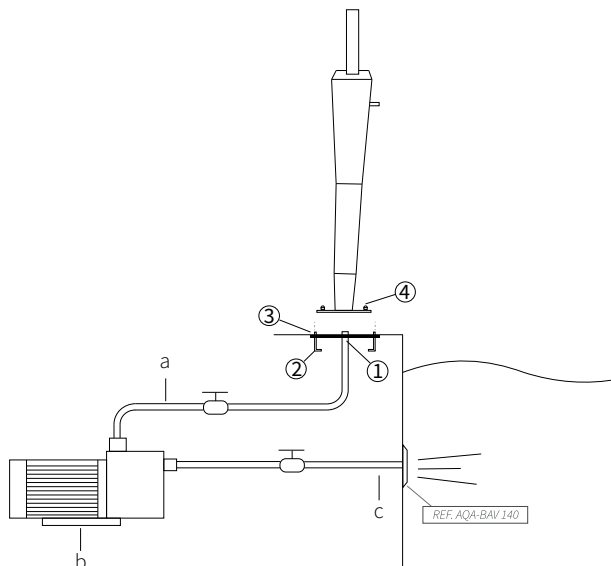


Earth
Connection



A	a'	B	C	D	E
550	345	1200	150	210	150

Measure in mm



MOUNTING SYSTEM

- 1) Connect the water intake to the support with 1 1/2" female fitting.
 - 2) Fix the earth connection to the support.
 - 3) Embed the support to get the platen at ground level.
 - 4) Fix the waterfall with the nuts (included).
- a) Impulsion tube (Ø50mm).
 b) Self-priming pump:
 6: 1,5hp - 21,5m³/h (Ref. AQA-B21).
 c) Suction tube 2" (Ø63mm).

*Pneumatic or electric button to be defined in work.