

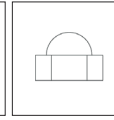


REF. 5.2

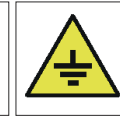
Waterfall in stainless steel AISI 316L (Marine quality) and fiberglass.



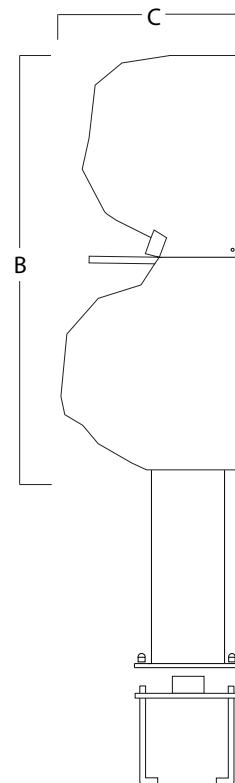
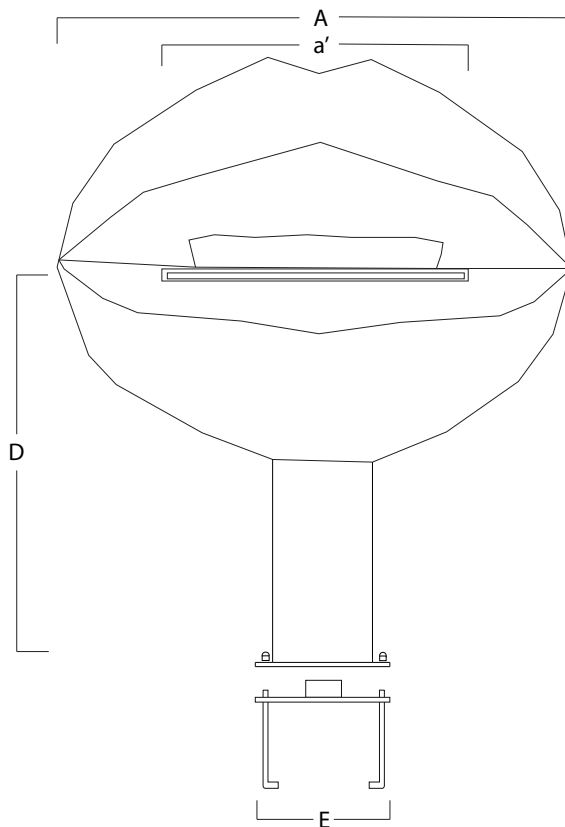
Support Included



Nuts Included

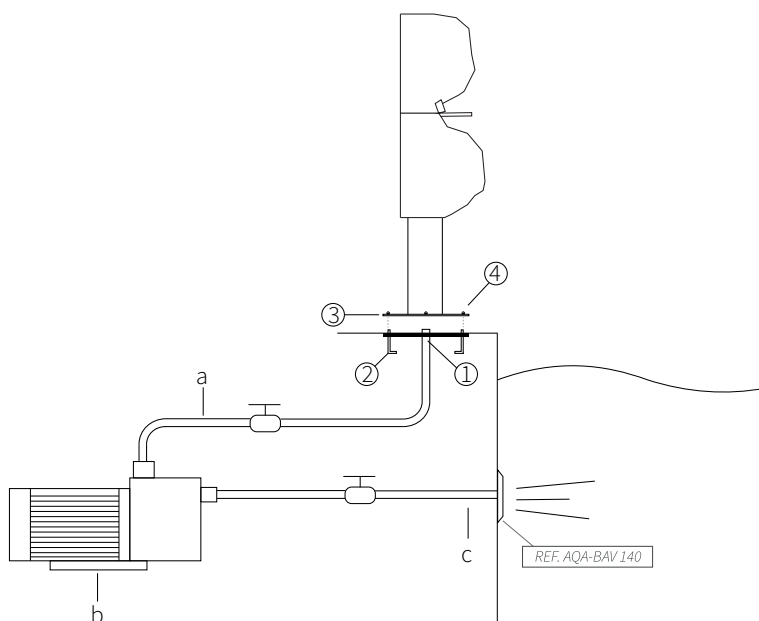


Earth Connection



A	a'	B	C	D	E
850	500	640	235	650	Ø190

Measure in mm



MOUNTING SYSTEM

- 1) Connect the water intake to the support with 1 1/2" female fitting.
- 2) Fix the earth connection to the support.
- 3) Embed the support to get the platen at ground level.
- 4) Fix the waterfall with the nuts (incluidas).
 - a) Impulsion tube (Ø50mm).
 - b) Self-priming pump:
 - 5.2: 1,5hp - 21,5m³/h (Ref. AQA-B21).
 - c) Suction tube 2" (Ø63mm).

*Pneumatic or electric button to be defined in work.