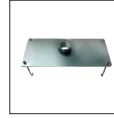


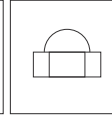


REF. 3

Waterfall in stainless steel AISI 316L (Marine quality). Polished finish.



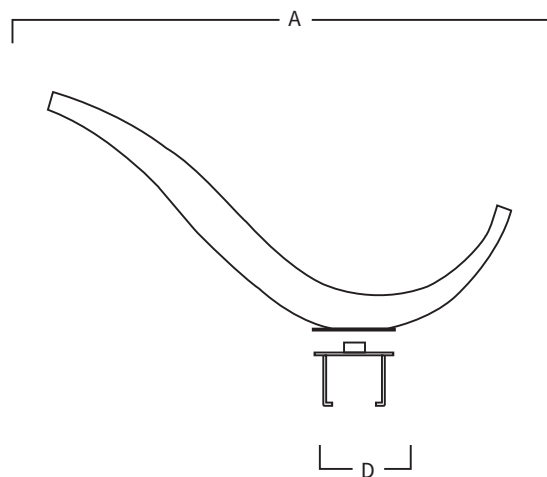
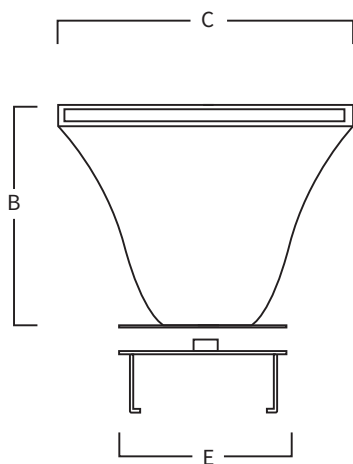
Support
Included



Nuts
Included



Earth
Connection



A	B	C	D	E
1010	500	500	120	385
<i>Measure in mm</i>				

MOUNTING SYSTEM:

- 1) Connect the water intake to the support with 2" female fitting.
- 2) Fix the earth connection to the support.
- 3) Embed the support to get the platen at ground level.
- 4) Fix the waterfall with the nuts (included).
 - a) Impulsion tube 2" (Ø63mm).
 - b) Self-priming pump:
 - 3: 1,5hp - 21,5m³/h (Ref. AQA-B21).
 - c) Suction tube 2" (Ø63mm).

**Pneumatic or electric button to be defined in work.*

