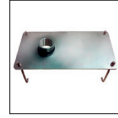




# REF. 13

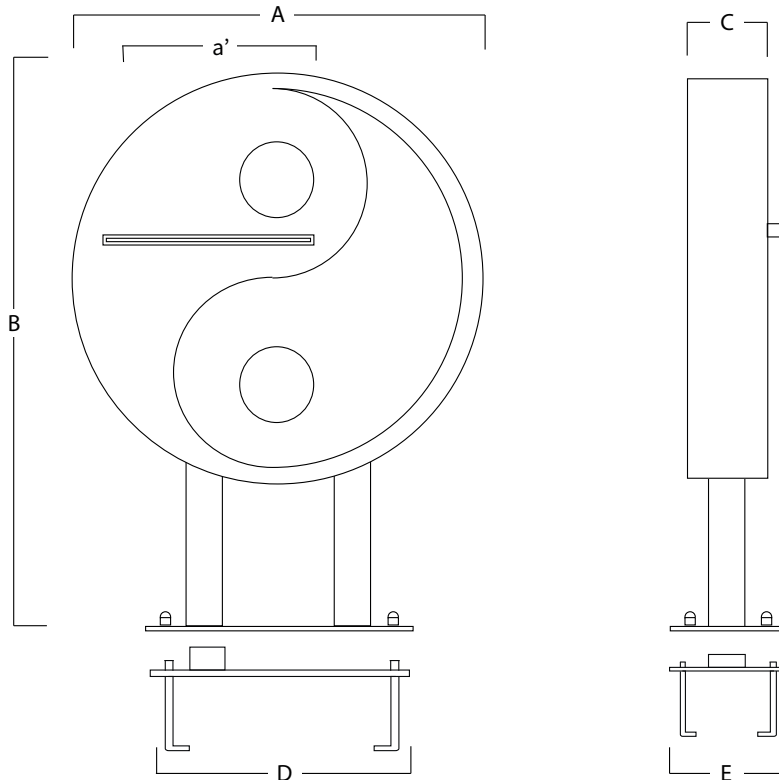
Waterfall in stainless steel AISI 316L  
(Marine quality) and fiberglass. Finish polished.



Support  
Included

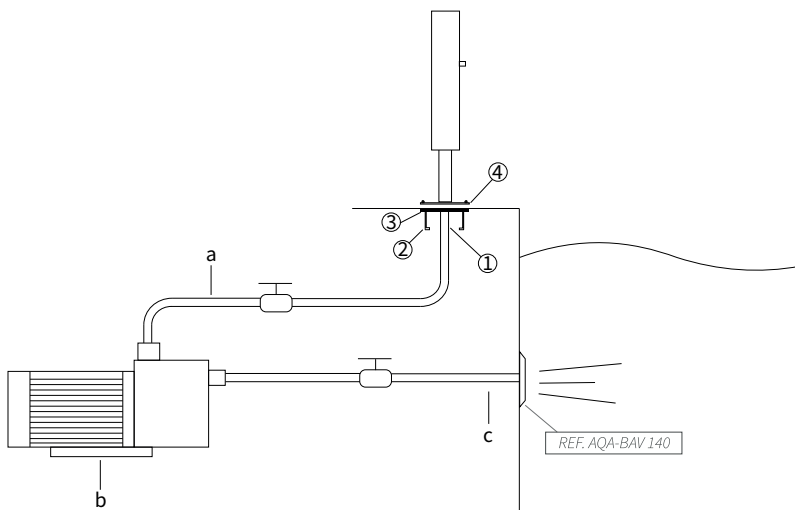


Earth  
Connection



A	a'	B	C	D	E
1140	500	1320	210	500	150

Measure in mm



## MOUNTING SYSTEM

- 1) Connect the water intake to the support with 1 1/2" female fitting..
- 2) Fix the earth connection to the support.
- 3) Embed the support to get the platen at ground level.
- 4) Fix the waterfall with de nuts (included).
  - a) Impulsion tube (Ø50mm).
  - b) Self-priming pump:  
13: 1,5hp - 21,5m³/h (Ref.AQA-B21).
  - c) Suction tube 2" (Ø63mm).

\*Pneumatic or electric button to be defined in work.