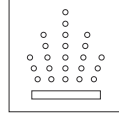


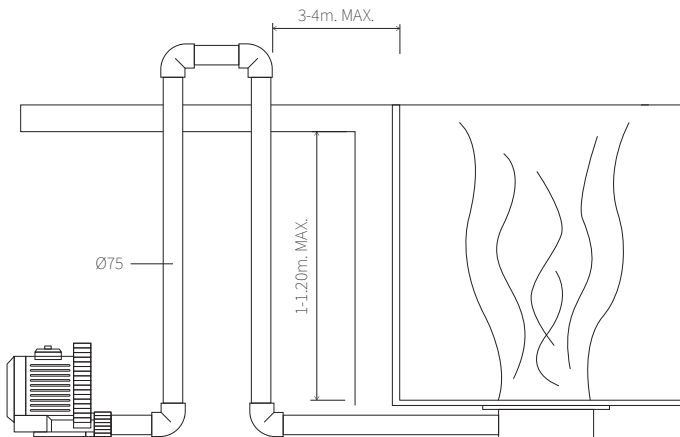
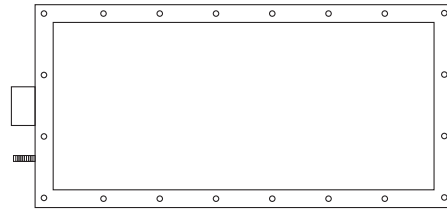
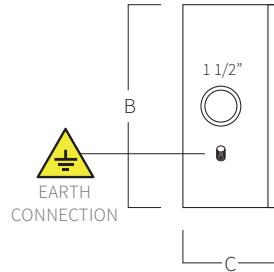
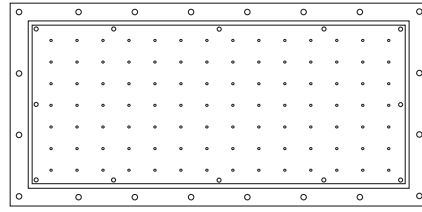
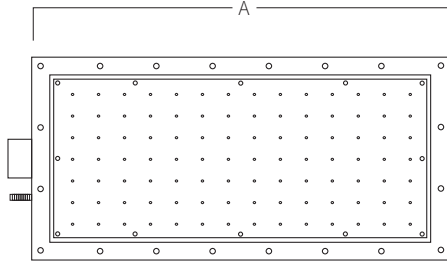
REF. 137L



Grid whirlpool liner in stainless steel AISI 316L (Marine quality) with box + trim frame + recordable cover. Satin finish. Screws and 2 gaskets included.



JET AIRE



| FLOWRATE | A | B | C |
|--|----------------|--------------|-------------|
| 140m ³ /h 05,51m ³ /h | 300 11,81 | 300 11,81 | 90 03,54 |
| 210m ³ /h 08,27m ³ /h | 500 19,69 | 500 19,69 | 90 03,54 |
| 140m ³ /h 05,51m ³ /h | 600 23,62 | 200 07,87 | 90 03,54 |
| 140m ³ /h 05,51m ³ /h | Ø300 Ø11,81 | - | 90 03,54 |
| 210m ³ /h 08,27m ³ /h | Ø500 Ø19,69 | - | 90 03,54 |

Measure in mm
Measure in inch