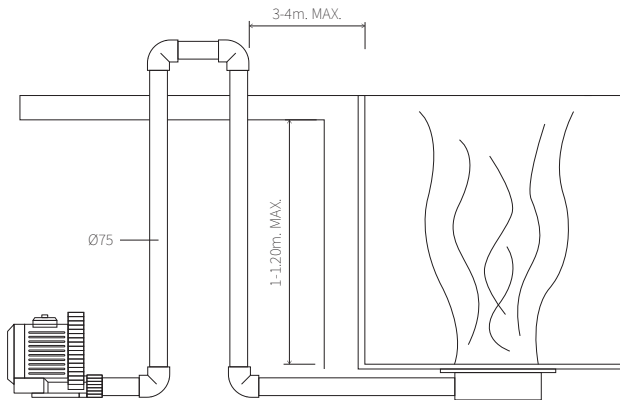
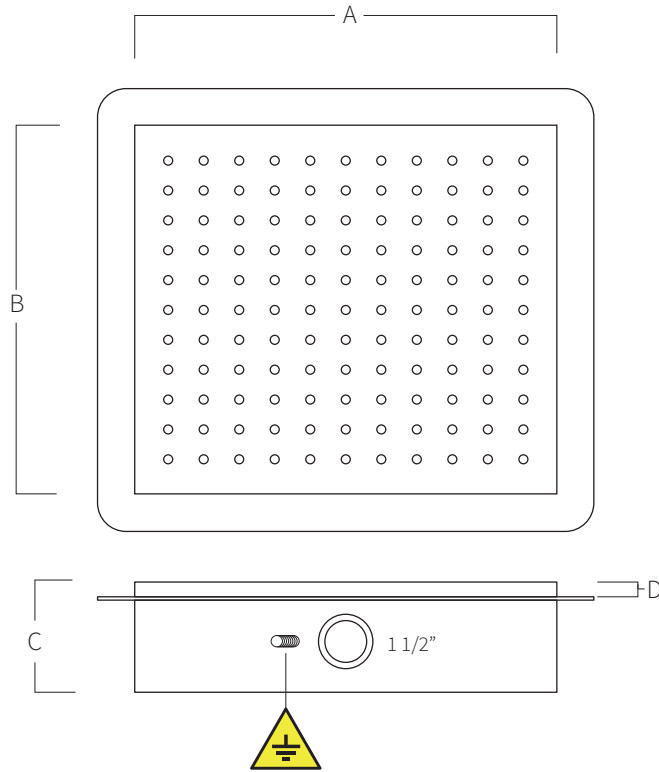




# REF. 137

Drain hydromassage in stainless steel AISI 316L (Marine quality). Satin finish. Embed at work.



FLOWRATE	A	B	C	D
70m <sup>3</sup> /h	300	300	90	15
95m <sup>3</sup> /h	500	500	90	15
95m <sup>3</sup> /h	200	600	90	15
70m <sup>3</sup> /h	-	Ø300	90	15
95m <sup>3</sup> /h	-	Ø500	90	15

Measure in mm