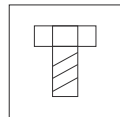


REF. **133**



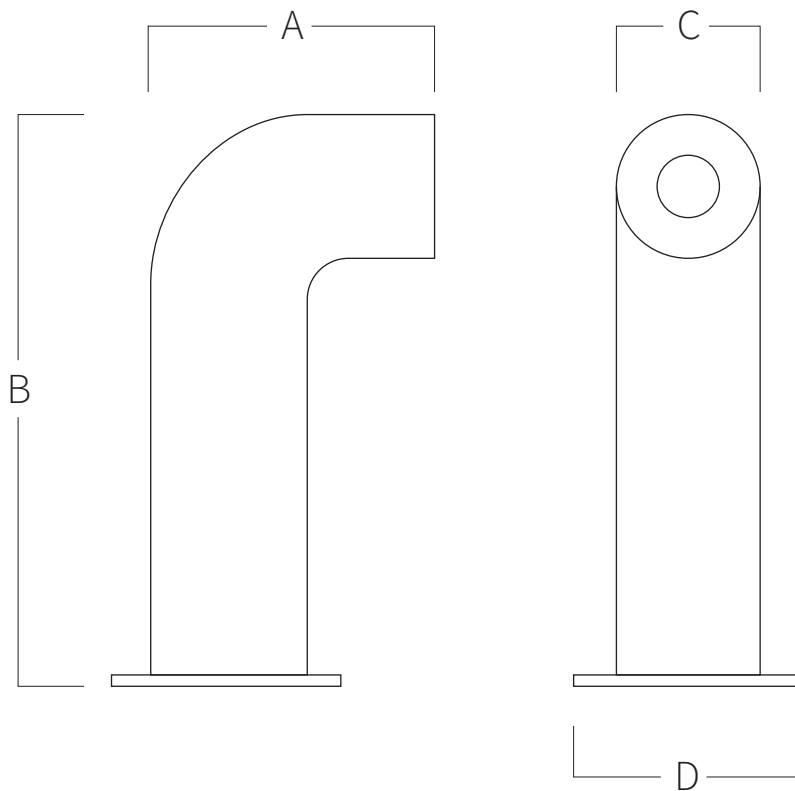
Support with piezoelectric button in stainless steel AISI 316L (Marine quality). Polish finish. Gasket and gel included. IP69.



Screws included



Earth connection



| A | B | C |
|-------|-------|-------------|
| 130 | 250 | Ø63x1,5 |
| 05,11 | 09,84 | Ø02,48x0,06 |

Measure in mm
Measure in inch