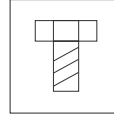




REF. 112

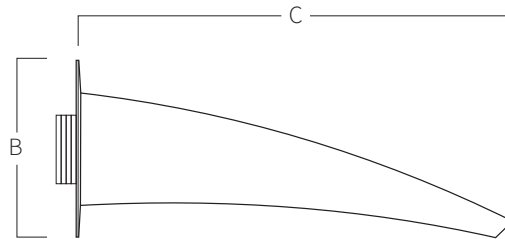
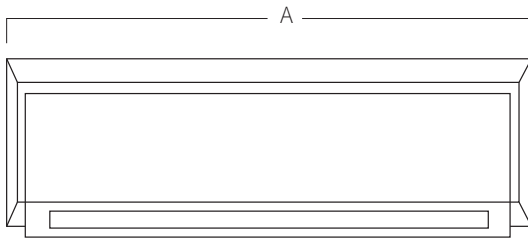
Waterfall in stainless steel AISI 316L (Marine quality). Polish finish.



Screws
Included
(4 units)

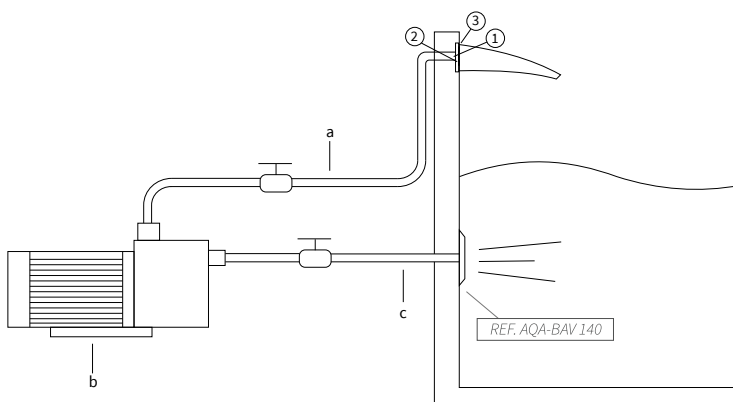


Earth
Connection



A	B	C
300 11,81	110 04,33	270 10,63
500 19,69	110 04,33	270 10,63
700 27,56	110 04,33	270 10,63
1000 39,37	110 04,33	270 10,63

Measure in mm
Measure in inch



MOUNTING SYSTEM

- 1) Screw at the wall with a 1 1/2" male fitting (width 300/500) and 2" male fitting (width 700/1000).
- 2) Connect the earth connection.
- 3) Fix with the 4 screws.

a) Impulsion tube Ø50mm (width 300/500) and Ø63mm (width 700/1000).

b) Self-priming pump:

112 (300) 0,50hp - 8m³/h (Ref. AQA-B8).

112 (500) 0,80hp - 10m³/h (Ref. AQA-B10).

112 (700) 1hp - 17,3m³/h (Ref. AQA-B17)

112 (1000) 1,5hp - 21,5m³/h (Ref. B21).

c) Suction tube 2" (Ø63mm).

*Pneumatic or electric button to be defined in work.