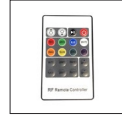


REF. 1110-CR

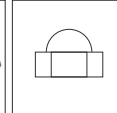
Waterfall in stainless steel AISI 316L
(Marine quality). Polish or satin finish.



Remote Control Included



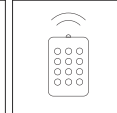
Support Included



Nuts Included (6 units)



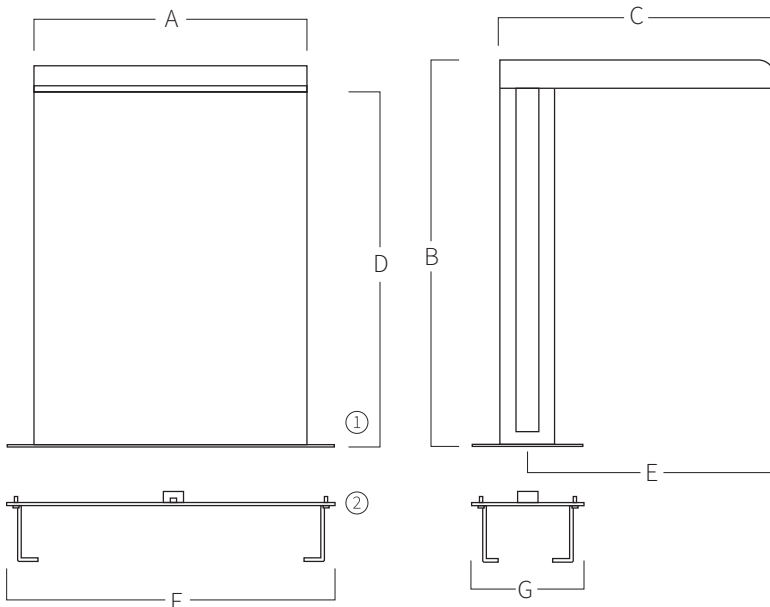
RGB



Remote Control



Earth Connection



① Nuts to fix waterfall.

② Support to embed in the ground level.



RGB CONTROLLER

Connect the black and red cables to RGB controller.

WATERPROOF BOX FOR CONNECTION (CONTAINS TRANSFORMER AND RGB CONTROLLER)

LENGTH/WIDTH/HIGH: 12x16x8cm

- Put the transformer inside the connection box and install a 1/2 meter to two of the shower head.

- The connection from the box to the electrical outlet has a length according to the needs of the project. (Cable not included).

A	B	C	D	E	F	G
300 11,81	700 27,56	500 19,69	650 25,60	450 17,72	400 15,75	200 07,87
500 19,69	700 27,56	500 19,69	650 25,60	450 17,72	600 23,62	200 07,87
700 27,56	700 27,56	500 19,69	650 25,60	450 17,72	800 31,50	200 07,87
1000 39,37	700 27,56	500 19,69	650 25,60	450 17,72	1100 43,31	200 07,87

Measure in mm
Measure in inch

MOUNTING SYSTEM

- 1) Connect the water intake to the support with 2" female fitting.
- 2) Fix the earth connection to the support.
- 3) Embed the support to get for the platen at ground level.
- 4) Fix the waterfall with the nuts.
 - a) Impulsion tube 2" (Ø63mm).
 - b) Self-priming pump:
 - 1110-CR (300) 1hp - 17,3m³/h (Ref. AQA-B17).
 - 1110-CR (500) 1,5hp - 21,5m³/h (Ref. AQA-B21).
 - 1110-CR (700) 2hp - 26,6m³/h (Ref. AQA-B26).
 - 1110-CR (1000) 3hp - 38,8m³/h (Ref. AQA-B38).
 - c) Suction tube 2" (Ø63mm).

*Pneumatic or electric button to be defined in work.

