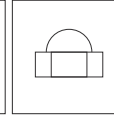


REF. 107

Waterfall in stainless steel AISI 316L (Marine quality). Polish or satin finish.



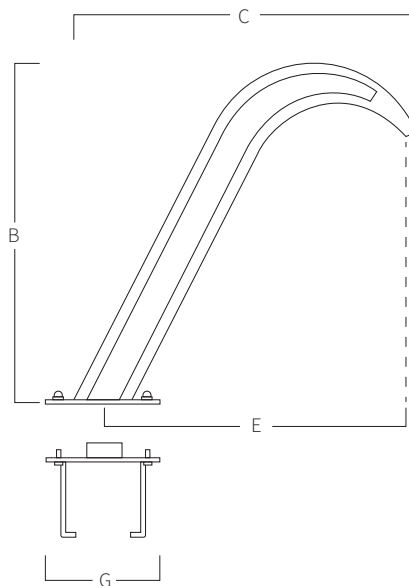
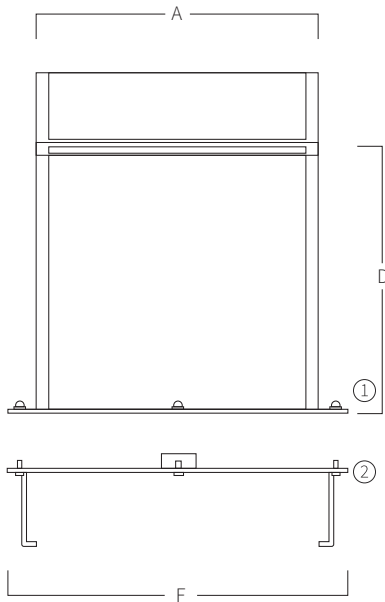
Support Included



Nuts Included (6 units)



Earth Connection



| A | B | C | D | E | F | G |
|---------------|--------------|--------------|--------------|--------------|---------------|--------------|
| 300 11,81 | 600 23,62 | 610 24,02 | 460 18,11 | 560 22,05 | 400 15,75 | 200 07,87 |
| 500 19,69 | 600 23,62 | 610 24,02 | 460 18,11 | 560 22,05 | 600 23,62 | 200 07,87 |
| 700 27,56 | 600 23,62 | 610 24,02 | 460 18,11 | 560 22,05 | 800 31,50 | 200 07,87 |
| 1000 39,37 | 600 23,62 | 610 24,02 | 460 18,11 | 560 22,05 | 1100 43,31 | 200 07,87 |

Measure in mm
Measure in inch

- ① Nuts to fix waterfall.
- ② Support to embed in the ground level.

MOUNTING SYSTEM

- 1) Connect the water intake to the support with 2" female fitting.
- 2) Fix the earth connection to the support.
- 3) Embed the support to get the platen at ground level.
- 4) Fix the waterfall with the nuts.
 - a) Impulsion tube 2" (Ø63mm).
 - b) Self-priming pump:
 - 107 (300) 1hp - 17,3m³/h (Ref. AQA-B17).
 - 107 (500) 1,5hp - 21,5m³/h (Ref. AQA-B21).
 - 107 (700) 2hp - 26,6m³/h (Ref. AQA-B26).
 - 107 (1000) 3hp - 38,8m³/h (Ref. AQA-B38).
 - c) Suction tube 2" (Ø63mm).

*Pneumatic or electric button to be defined in work.

