

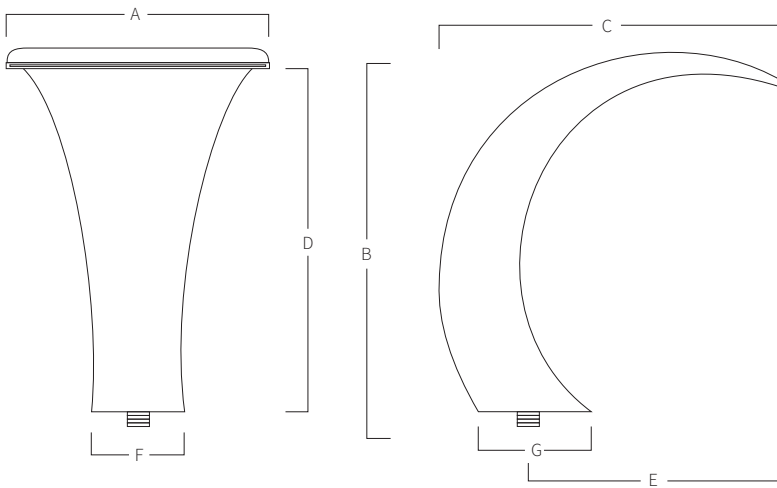


REF. 106SPA

Waterfall in stainless steel AISI 316L
(Marine quality). Polished finish.

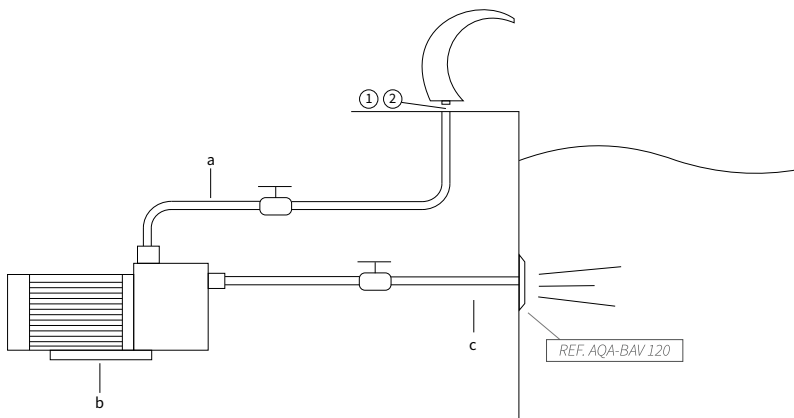


Earth
Connection



A	B	C	D	E	F	G
150	220	220	185	165	60	80
05,91	08,66	08,66	07,28	06,50	02,36	03,15

Measure in mm
Measure in inch



MOUNTING SYSTEM

- 1) Screw with 3/4" male fitting.
- 2) Fix the earth connection.
 - a) Impulsion tube for 3/4" connection.
 - b) Self-priming pump:
106SPA 0,5hp - 8m³/h (Ref. AQA-B8).
 - c) Suction tube.

*Pneumatic or electric button to be defined in work.