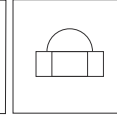


# REF. 106P

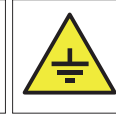
Waterfall in stainless steel AISI 316L  
(Marine quality). Polish or satin finish.



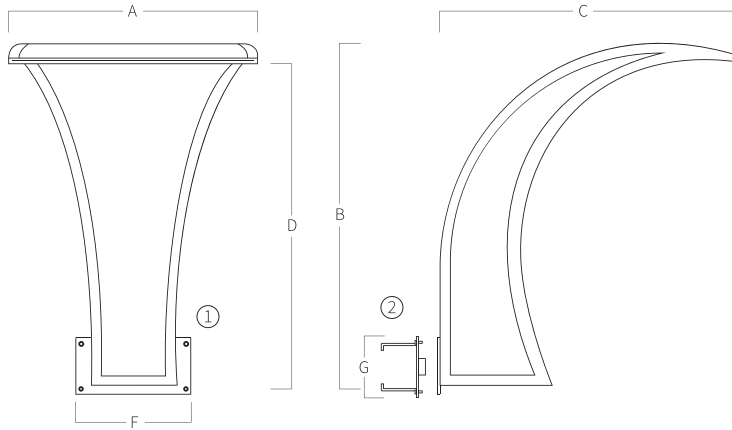
Support  
Included



Nuts  
Included  
(4 units)



Earth  
Connection



A	B	C	D	F	G
500	585	625	540	175	175
19,62	23,03	24,61	21,26	06,89	06,89

Measure in mm  
Measure in inch

- ① Nuts to fix waterfall.  
② Support to embed in the wall.

## MOUNTING SYSTEM

- 1) Connect the water intake to the support with 2" female fitting.
- 2) Fix the earth connection to the support.
- 3) Embed the support to get the platen at the wall and fix the waterfall with the nuts.

- a) Impulsion tube 2" (Ø63mm).  
b) Self-priming pump:  
106P (500) 1,5hp - 21,5m<sup>3</sup>/h (Ref. AQA-B21).  
c) Suction tube 2" (Ø63mm).

\*Pneumatic or electric button to be defined in work.

