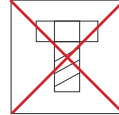


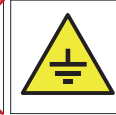


# REF. 106M

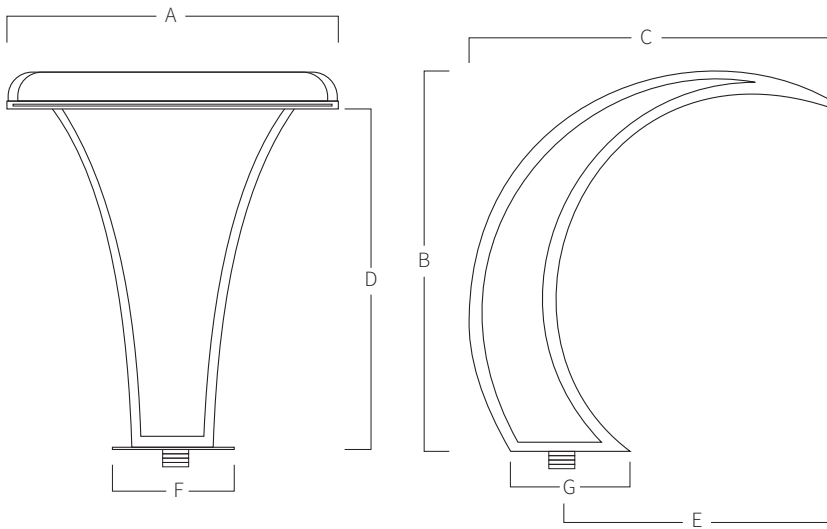
Waterfall in stainless steel AISI 316L (Marine quality). Polish finish.



Screws not Included



Earth Connection



A	B	C	D	E	F	G
350	485	480	400	340	180	230
13,78	19,09	18,90	15,75	13,39	07,09	09,06

Measure in mm  
Measure in inch

## MOUNTING SYSTEM

- 1) Screw with 1 1/2" male fitting.
- 2) Fix the earth connection.
- 3) Fix with screws (not included).
  - a) Impulsion tube for 1 1/2" connection.
  - b) Self-priming pump: 106M 1hp - 17,3m<sup>3</sup>/h (Ref. AQA-B17).
  - c) Suction tube.

\*Pneumatic or electric button to be defined in work.

